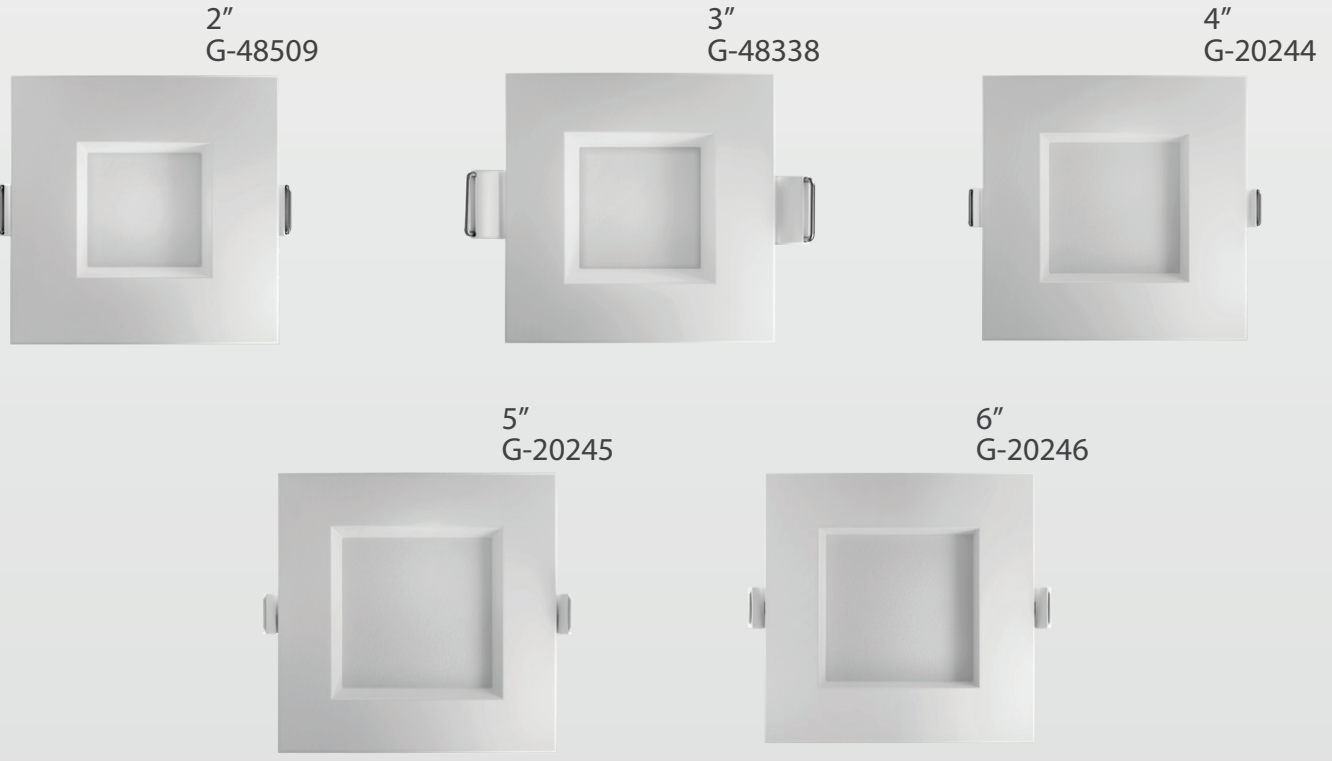




SQUARE LED

REGRESS SLIM SELECTABLE CCT



ITEM	G-48509 2"				
DESCRIPTION	RS2/8W/SQ/LED/5CCT	EQUIV. WATTAGE	50W	HEIGHT	2.39"
COLOR TEMP	27, 30, 35, 41, 50k	CRI	90>	CUT OUT	2.08"
OUTPUT LUMEN	500	mA	170mA	PLATE	G-19981
BEAM ANGLE	100°	OUT PUT VO LTS	33-38V DC	PACK	18
INPUT VOLTS	120V	DIMMABLE	Yes		
WATTAGE	8W	OD	2.55"		

ITEM	G-48338 3"				
DESCRIPTION	RS3/10W/SQ/LED/5CCT	EQUIV. WATTAGE	80W	HEIGHT	1.97"
COLOR TEMP	27, 30, 35, 41, 50k	CRI	90>	CUT OUT	2.91"
OUTPUT LUMEN	750	mA	230mA	PLATE	G-19969
BEAM ANGLE	100°	OUT PUT VO LTS	38V DC	PACK	18
INPUT VOLTS	120-277V	DIMMABLE	Yes		
WATTAGE	10W	OD	3.70"		

Content

- Square Led Regress Slim _____ 1
- Accessories _____ 2
- Trim Replacement Covers _____ 3
- Dimensions _____ 3
- Dimmer List _____ 4

Dimmable:
5%

Lifetime:
50,000 hours

Warranty:
3 years

CRI 90+
TRUE COLORS

IC RATED

BEAM ANGLE
100°

WET LOCATION

AIR TIGHT

ETL LISTED US

ITEM	G-20244 4"				
DESCRIPTION	RS4/15W/SQ/LED/5CCT	EQUIV. WATTAGE	120W	HEIGHT	2.15"
COLOR TEMP	27, 30, 35, 41, 50k	CRI	90>	CUT OUT	4.25"
OUTPUT LUMEN	1400	mA	350mA	PLATE	G-19969 1 Punch Out
BEAM ANGLE	100°	OUT PUT VO LTS	38V	PACK	18
INPUT VOLTS	120-277V	DIMMABLE	Triac or 0-10V		
WATTAGE	15W	OD	4.92"		

ITEM	G-20245 5"				
DESCRIPTION	RS5/23W/SQ/LED/5CCT	EQUIV. WATTAGE	200W	HEIGHT	1.97"
COLOR TEMP	27, 30, 35, 41, 50k	CRI	90>	CUT OUT	5.20"
OUTPUT LUMEN	1800	mA	540mA	PLATE	G-19981 3 Punch Out
BEAM ANGLE	100°	OUT PUT VO LTS	38V	PACK	18
INPUT VOLTS	120V	DIMMABLE	Yes		
WATTAGE	23W	OD	5.71"		

ITEM	G-20246 6"				
DESCRIPTION	RS6/28W/SQ/LED/5CCT	EQUIV. WATTAGE	300W	HEIGHT	2.40"
COLOR TEMP	27, 30, 35, 41, 50k	CRI	90>	CUT OUT	6.29"
OUTPUT LUMEN	2700/1750/950	mA	750mA	PLATE	G-19969 2 Punch Out
BEAM ANGLE	100°	OUT PUT VO LTS	38V	PLENUM RATED	FT6
INPUT VOLTS	120-277V	DIMMABLE	Triac or 0-10V	PACK	18
WATTAGE	28/18/10W	OD	7.10"		

Accessories



Emergency LED Driver

15W G-48410

60W G-95521

30W G-48411

25W G-95525



Extension Cords

G-20247 5ft

G-19822 20ft

G-20248 10ft

G-19833 30ft



New Construction Plate

See the items in the tables for details



Multi Driver Converter

For G-48509 use G-95823 8W

For G-20244- use G-95825 14W

For G-48338 use G-95824 10W

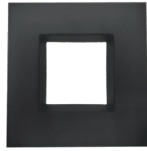
For G-20245- use G-95826 22W

For G-20246- use G-95824 10W /G-95825 18W



Trim Replacement Covers

Black



G-22120 2"
T/RL/2/SQ/CV/BK

G-48461 4"
RT4/SQ/COVER/BK

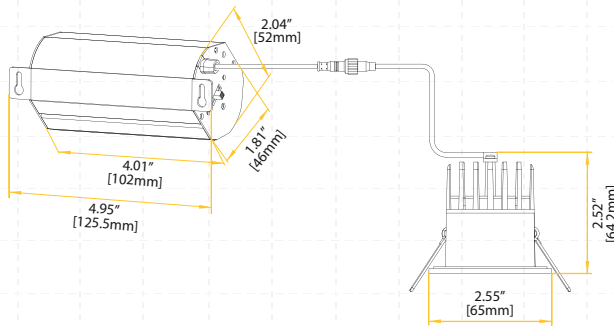
G-22160 6"
T/RL/6/SQ/CV/BK

G-22130 3"
T/RL/3/SQ/CV/BK

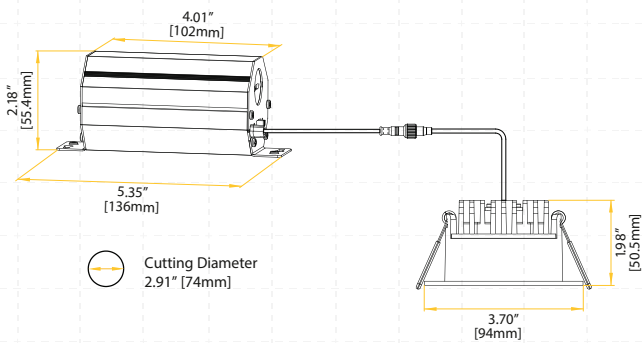
G-22150 5"
T/RL/5/SQ/CV/BK

Dimensions

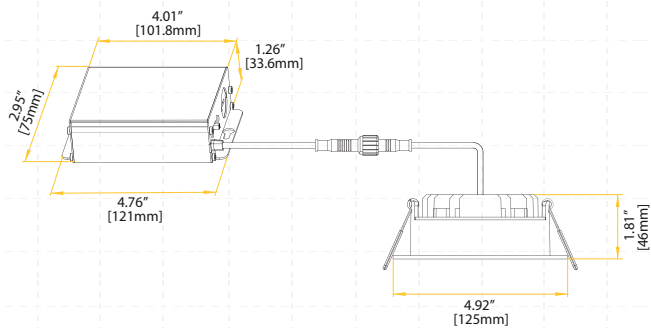
G-48509 2"



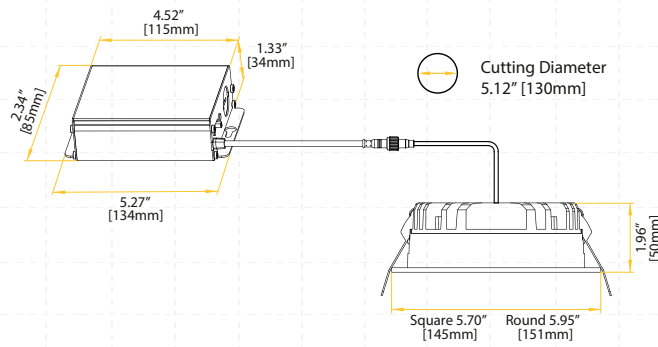
G-48338 3"



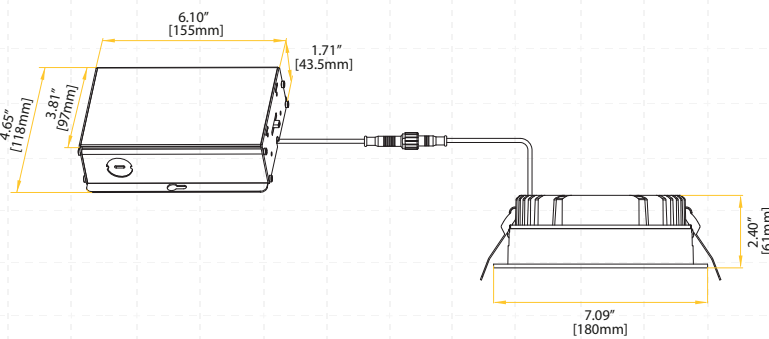
G-20244 4"



G-20245 5"



G-20246 6"



Dimmer List

BRAND	SERIES	MODEL	LOAD	BRAND	SERIES	MODEL	LOAD
LUTRON	SKYLARK CONTOUR	LECL-153P	150W	LUTRON	TOGLER	TGCL-153P	150W
		CTCL-150H	150W		ARIADNI	AYCL-153P	150W
		LGCL-153PLH	150W		MAESTRO	MACL-153M	600W
		CTCL-153P	150W	LEVITON	ILLUMATECH	IPL06	150W
		SCL-153P	150W		SURESLIDE	6672	150W
	S-600P	600W	6674	150W			
	CASETA	PD-6WCL	150W	EATON	SMART DIMMER	AAL06	300W
		PD-5NE	150W	PASS & SEYMOUR	HARMONY	DCL453PTCCCV6	150W
		PD-10NXD	250W	GE	ROCKER	10464	150W
	DIVA	DVCL-153P	150W	TOGGLE	18027	150W	