

COMMERCIAL REGRESS LED ROUND FIXTURE

G-98521 3"



G-98522 4"



G-98523 5"



G-98524 6"



G-98526 8"



Accessories

Emergency LED Driver



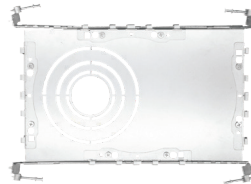
15W G-48410

60W G-95521

30W G-48411

25W G-95525

New Construction Plate



G-98521 Use G-19969

G-98522 Use G-19969 1 Punch Out

G-98523 Use G-19981 3 Punch Outs

G-98524 Use G-19969 2 Punch Outs

G-98526 Use G-19982 8 Punch Outs

BX Extension Cords

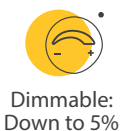


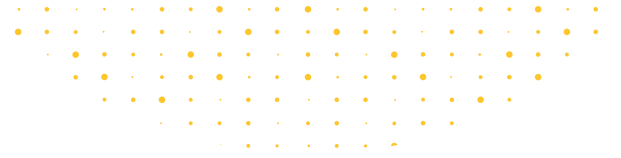
G-98628

Extends 15 Ft

G-98629

Extends 30 Ft





CONTRACTOR DIRECT
LIGHTING

COMMERCIAL LED REGRESS SLIM

ITEM	G-98521		
DESCRIPTION	RS3/10W-IC/15W-NIC/RD/LED/5CCT/BX	OD	3.70"
COLOR TEMP	27, 30, 35, 41, 50k	HEIGHT	2.38"
OUTPUT LUMEN	1050/800	mA	355/230mA
BEAM ANGLE	100°	OUTPUT VOLTS	33-38V
INPUT VOLTS	120-277V	IC RATED	Only at 10W
WATTAGE	15/10W	PLENUM RATED	Chicago
CRI	90>	DIMMABLE	Triac or 0-10
CUTOUT	2.95"	PACK	18

ITEM	G-98522		
DESCRIPTION	RS4/15W-IC/20W-NIC/RD/LED/5CCT/BX	OD	4.92"
COLOR TEMP	27, 30, 35, 41, 50k	HEIGHT	2.22"
OUTPUT LUMEN	2000/1400	mA	515/355mA
BEAM ANGLE	100°	OUTPUT VOLTS	33-38V
INPUT VOLTS	120-277V	IC RATED	Only at 15W
WATTAGE	20/15W	PLENUM RATED	Chicago
CRI	90>	DIMMABLE	Triac or 0-10
CUTOUT	4.20"	PACK	18

ITEM	G-98523	G-98524	G-98526
DESCRIPTION	RS5/23W-IC/32W-NIC/RD/LED/5CCT/BX	RS6/28W-IC/48W-NIC/RD/LED/5CCT/BX	RS8/50W-IC/80W-NIC/RD/LED/5CCT/BX
COLOR TEMP	27, 30, 35, 41, 50k	27, 30, 35, 41, 50k	27, 30, 35, 41, 50k
OUTPUT LUMEN	3000/2000	5000/2700	8000/5000
BEAM ANGLE	100°	100°	100°
INPUT VOLTS	120-277V	120-277V	120-277V
WATTAGE	32/23W	48/28W	80/50W
CRI	90>	90>	90>
CUTOUT	5.20"	6.20"	8.00"
OD	5.94"	7.09"	9.55"
HEIGHT	2.38"	2.81"	2.78"
mA	755/540mA	1280/720mA	2030/1300mA
OUTPUT VOLTS	33-38V	33-38V	33-38V
IC RATED	Only at 23W	Only at 28W	Only at 50W
DIMMABLE	Triac or 0-10	Triac or 0-10	50W Triac or 0-10V, 80W Only 0-10V
PLENUM RATED	Chicago	Chicago	Chicago
PACK	12	12	4



Dimmable:
Down to 5%



Warranty:
3 years



Lifetime:
50,000 hours





CONTRACTOR DIRECT
LIGHTING

COMMERCIAL LED REGRESS SLIM

ITEM	G-98521		
DESCRIPTION	RS3/10W-IC/15W-NIC/RD/LED/5CCT/BX	OD	3.70"
COLOR TEMP	27, 30, 35, 41, 50k	HEIGHT	2.38"
OUTPUT LUMEN	1050/800	mA	355/230mA
BEAM ANGLE	100°	OUTPUT VOLTS	33-38V
INPUT VOLTS	120-277V	IC RATED	Only at 10W
WATTAGE	15/10W	PLENUM RATED	Chicago
CRI	90>	DIMMABLE	Triac or 0-10
CUTOUT	2.95"	PACK	18

ITEM	G-98522		
DESCRIPTION	RS4/15W-IC/20W-NIC/RD/LED/5CCT/BX	OD	4.92"
COLOR TEMP	27, 30, 35, 41, 50k	HEIGHT	2.22"
OUTPUT LUMEN	2000/1400	mA	515/355mA
BEAM ANGLE	100°	OUTPUT VOLTS	33-38V
INPUT VOLTS	120-277V	IC RATED	Only at 15W
WATTAGE	20/15W	PLENUM RATED	Chicago
CRI	90>	DIMMABLE	Triac or 0-10
CUTOUT	4.20"	PACK	18

ITEM	G-98523	G-98524	G-98526
DESCRIPTION	RS5/23W-IC/32W-NIC/RD/LED/5CCT/BX	RS6/28W-IC/48W-NIC/RD/LED/5CCT/BX	RS8/50W-IC/80W-NIC/RD/LED/5CCT/BX
COLOR TEMP	27, 30, 35, 41, 50k	27, 30, 35, 41, 50k	27, 30, 35, 41, 50k
OUTPUT LUMEN	3000/2000	5000/2700	8000/5000
BEAM ANGLE	100°	100°	100°
INPUT VOLTS	120-277V	120-277V	120-277V
WATTAGE	32/23W	48/28W	80/50W
CRI	90>	90>	90>
CUTOUT	5.20"	6.20"	8.00"
OD	5.94"	7.09"	9.55"
HEIGHT	2.38"	2.81"	2.78"
mA	755/540mA	1280/720mA	2030/1300mA
OUTPUT VOLTS	33-38V	33-38V	33-38V
IC RATED	Only at 23W	Only at 28W	Only at 50W
DIMMABLE	Triac or 0-10	Triac or 0-10	50W Triac or 0-10V, 80W Only 0-10V
PLENUM RATED	Chicago	Chicago	Chicago
PACK	12	12	4



Dimmable:
Down to 5%

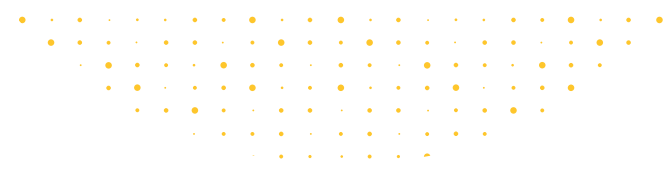


Warranty:
3 years



Lifetime:
50,000 hours



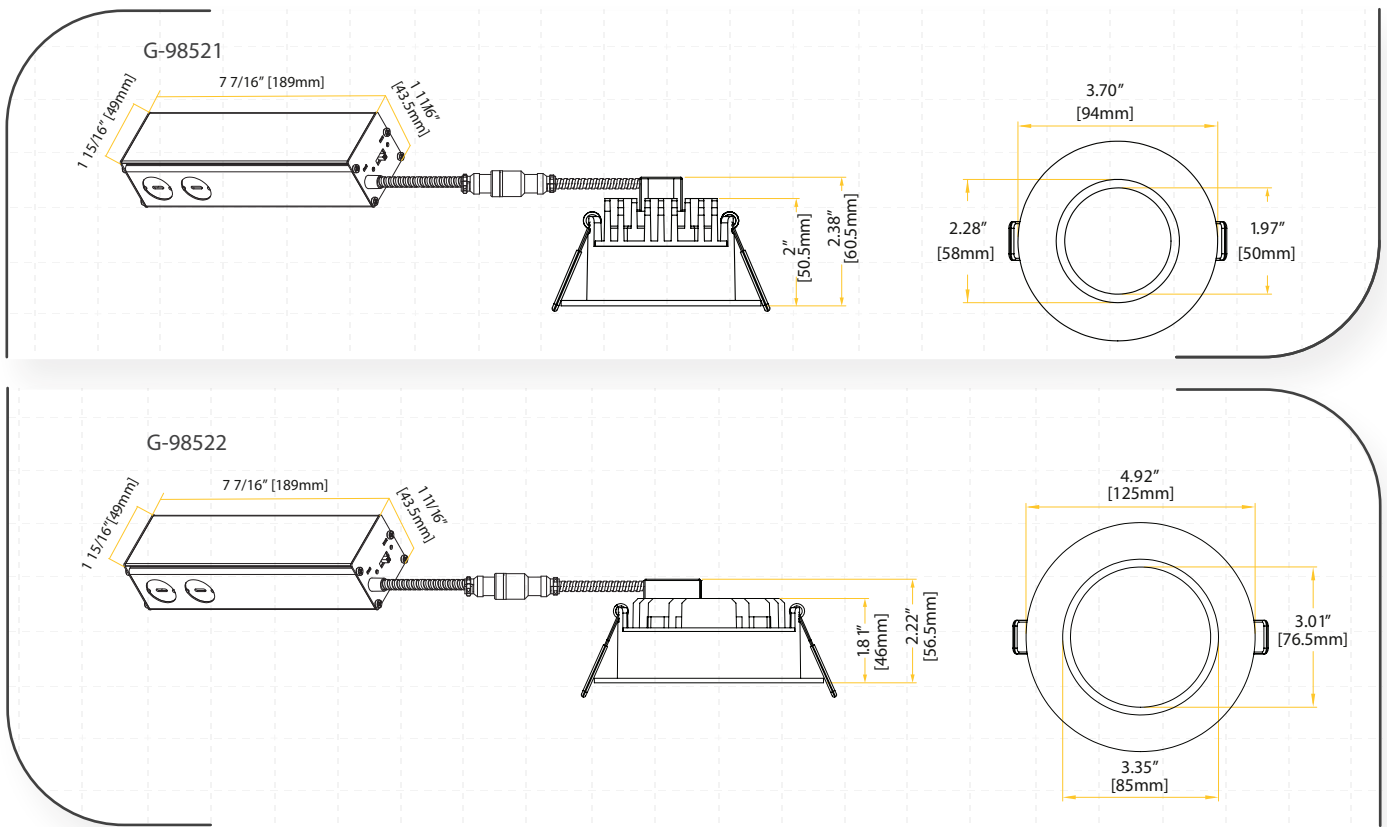


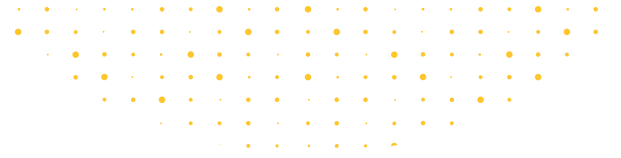
Trim Replacement Covers



3"	G-22030 T/RL/3/R/CV/BK	3"	G-22031 T/RL/3/R/CV/BZ	3"	G-22032 T/RL/3/R/CV/BN	3"	G-22033 T/RL/3/R/CV/BB	3"	G-22034 T/RL/3/R/CV/BC
4"	G-48460 T/RL/4/R/CV/BK	4"	G-22041 T/RL/4/R/CV/BZ	4"	G-22042 T/RL/4/R/CV/BN	4"	G-22043 T/RL/4/R/CV/BB	4"	G-22044 T/RL/4/R/CV/BC
5"	G-22050 T/RL/5/R/CV/BK	5"	G-22051 T/RL/5/R/CV/BZ	5"	G-22052 T/RL/5/R/CV/BN	5"	G-22053 T/RL/5/R/CV/BB	5"	G-22054 T/RL/5/R/CV/BC
6"	G-22060 T/RL/6/R/CV/BK	6"	G-22061 T/RL/6/R/CV/BZ	6"	G-22062 T/RL/6/R/CV/BN	6"	G-22063 T/RL/6/R/CV/BB	6"	G-22064 T/RL/6/R/CV/BC
8"	G-22080 T/RL/8/R/CV/BK	8"	G-22081 T/RL/8/R/CV/BZ	8"	G-22082 T/RL/8/R/CV/BN	8"	G-22083 T/RL/8/R/CV/BB	8"	G-22084 T/RL/8/R/CV/BC

Diagram





CONTRACTOR DIRECT
LIGHTING

COMMERCIAL LED REGRESS SLIM

ITEM	G-98521		
DESCRIPTION	RS3/10W-IC/15W-NIC/RD/LED/5CCT/BX	OD	3.70"
COLOR TEMP	27, 30, 35, 41, 50k	HEIGHT	2.38"
OUTPUT LUMEN	1050/800	mA	355/230mA
BEAM ANGLE	100°	OUTPUT VOLTS	33-38V
INPUT VOLTS	120-277V	IC RATED	Only at 10W
WATTAGE	15/10W	PLENUM RATED	Chicago
CRI	90>	DIMMABLE	Triac or 0-10
CUTOUT	2.95"	PACK	18

ITEM	G-98522		
DESCRIPTION	RS4/15W-IC/20W-NIC/RD/LED/5CCT/BX	OD	4.92"
COLOR TEMP	27, 30, 35, 41, 50k	HEIGHT	2.22"
OUTPUT LUMEN	2000/1400	mA	515/355mA
BEAM ANGLE	100°	OUTPUT VOLTS	33-38V
INPUT VOLTS	120-277V	IC RATED	Only at 15W
WATTAGE	20/15W	PLENUM RATED	Chicago
CRI	90>	DIMMABLE	Triac or 0-10
CUTOUT	4.20"	PACK	18

ITEM	G-98523	G-98524	G-98526
DESCRIPTION	RS5/23W-IC/32W-NIC/RD/LED/5CCT/BX	RS6/28W-IC/48W-NIC/RD/LED/5CCT/BX	RS8/50W-IC/80W-NIC/RD/LED/5CCT/BX
COLOR TEMP	27, 30, 35, 41, 50k	27, 30, 35, 41, 50k	27, 30, 35, 41, 50k
OUTPUT LUMEN	3000/2000	5000/2700	8000/5000
BEAM ANGLE	100°	100°	100°
INPUT VOLTS	120-277V	120-277V	120-277V
WATTAGE	32/23W	48/28W	80/50W
CRI	90>	90>	90>
CUTOUT	5.20"	6.20"	8.00"
OD	5.94"	7.09"	9.55"
HEIGHT	2.38"	2.81"	2.78"
mA	755/540mA	1280/720mA	2030/1300mA
OUTPUT VOLTS	33-38V	33-38V	33-38V
IC RATED	Only at 23W	Only at 28W	Only at 50W
DIMMABLE	Triac or 0-10	Triac or 0-10	50W Triac or 0-10V, 80W Only 0-10V
PLENUM RATED	Chicago	Chicago	Chicago
PACK	12	12	4



Dimmable:
Down to 5%

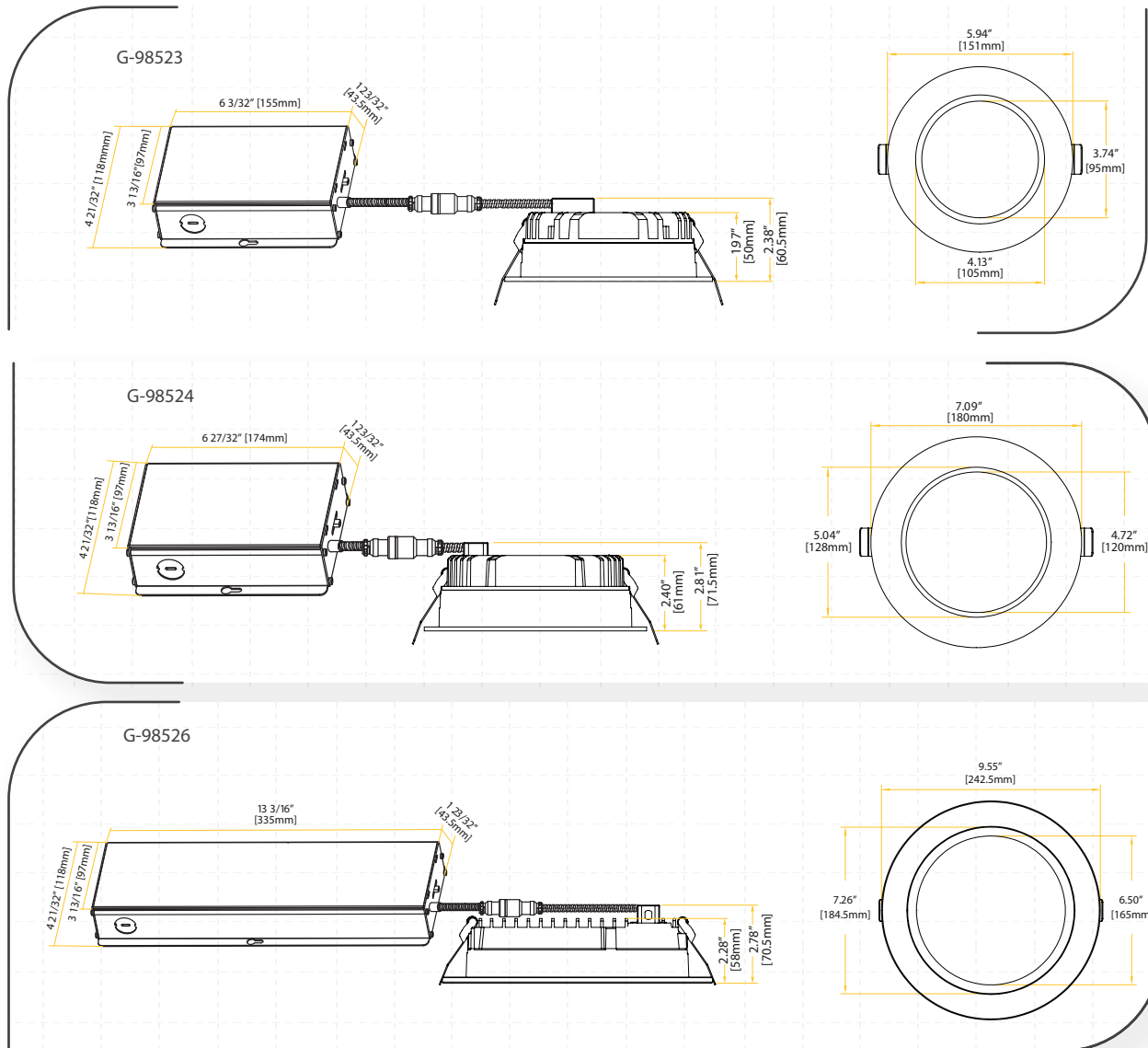


Warranty:
3 years



Lifetime:
50,000 hours





Dimmer List

BRAND	SERIES	MODEL	LOAD	BRAND	SERIES	MODEL	LOAD
LUTRON	SKYLARK CONTOUR	LECL-153P	150W	LUTRON	TOGLER	TGCL-153P	150W
		CTCL-150H	150W		ARIADNI	AYCL-153P	150W
		LGCL-153PLH	150W		MAESTRO	MACL-153M	600W
		CTCL-153P	150W	ILLUMATECH	IPL06	150W	
		SCL-153P	150W	LEVITON	SURESLIDE	6672	150W
	S-600P	600W		6674	150W		
	CASETA	PD-6WCL	150W	EATON	SMART DIMMER	AAL06	300W
		PD-5NE	150W	PASS & SEYMOUR	HARMONY	DCL453PTCCCV6	150W
		PD-10NXD	250W	GE	ROCKER	10464	150W
	DIVA	DVCL-153P	150W		TOGGLE	18027	150W