

Fire Rated 6" Round Flushed Slim

Product Information

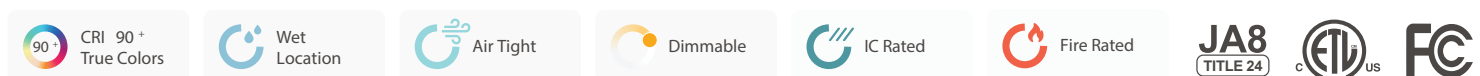
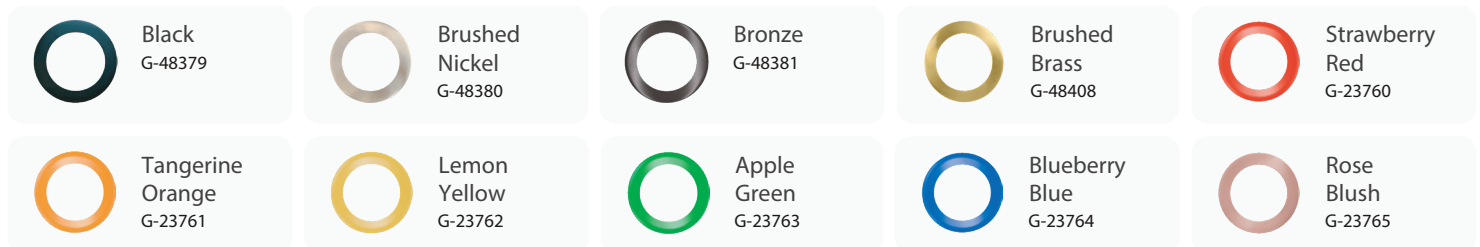
Description	S6/18W/R/LED/5CCT FR
Color temp	27, 30, 35, 41, 50k
Output lumens	1600
Beam angle	100°
Input volts	120/277V
Wattage	18W
CRI	90>
mA	430mA
Output volts	33-38V
Dimmable	Triac Or 0-10V Dimming
Cut out	6.10"
OD	7.16"
Height	1.67"
Wire	FT6 Plenum rated
Certified	UL 263 & ASTM E119
Packed	18



Additional Sizes



Color Cover Options





Emergency LED Driver
 15W G-48410
 25W G-95525
 30W G-48411
 60W G-95521



Multi Light Driver
 18W G-95825



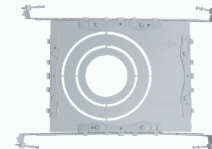
Extension Cords
 5ft G-20247
 10ft G-20248
 20ft G-19822
 30ft G-19823



New Construction Plate
 G-19975 7 Punch Out

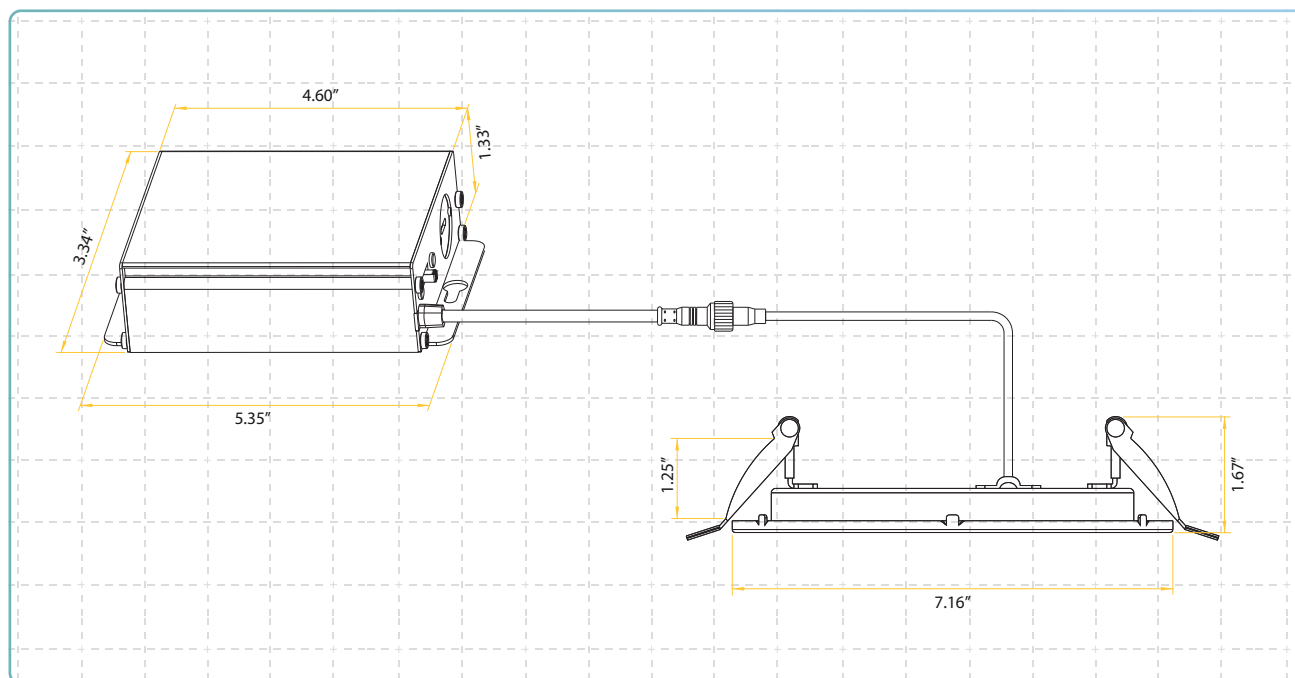


New Construction Plate
 G-19979 7 Punch Out



New Construction Plate
 G-19969 2 Punch Out

Dimensions



Brand	Series	Model	Load	Brand	Series	Model	Load
LUTRON	SKYLARK CONTOUR	LECL-153P	150W	LUTRON	TOGLER	TGCL-153P	150W
		CTCL-150H	150W		ARIADNI	AYCL-153P	150W
		LGCL-153PLH	150W		MAESTRO	MACL-153M	600W
		CTCL-153P	150W	LEVITON	ILLUMATECH	IPL06	150W
		SCL-153P	150W		SURESLIDE	6672	150W
		S-600P	600W		SURESLIDE	6674	150W
	CASETA	PD-6WCL	150W	EATON	SMART DIMMER	AAL06	300W
		PD-5NE	150W	PASS & SEYMOUR	HARMONY	DCL453PTCCCV6	150W
		PD-10NXD	250W	GE	ROCKER	1064	150W
	DIVA	DVCL-153P	150W		TOGGLE	18027	150W