



### LED OUTDOOR

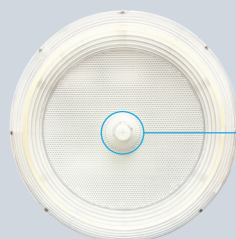
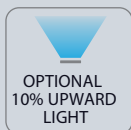
#### ROUND GARAGE CANOPY LC1004

CCT & WATTAGE SELECTABLE - OPTIONAL UPWARD LIGHT

100W - SENSOR READY



LR40720  
30W 50W 75W 100W



SENSOR READY

FRONT VIEW

CRI 80

COLOR SELECTABLE  
3000K 4000K 5000K

WATTAGE SELECTABLE  
4 OPTIONS



3/4" POLE MOUNT READY

DIMMABLE  
0-10V

120-277V



5 YEAR WARRANTY

#### ELECTRICAL

MODEL	DESCRIPTION	POWER	LUMEN	INPUT VOLTS	EFFICACY	LIFETIME	COST/YR
100W	LR40720 LEDCN100/3CCT/4WO/UNV/RD/WT [Blank;(PT),(MS),(EM),(EMS)]	30	3600	120-277V	120	50,000	\$12.04
		50	6000				
		75	9000				
		100	12000				

#### PHOTOMETRIC

MODEL	DESCRIPTION	COLOR (CCT)	TEMP	FLOOD	CRI	UL LISTED	DLC
LR40720	LEDCN100/3CCT/4WO/UNV/RD/WT	3000K/4000K/5000K	CCT SELECTABLE	150°	80	YES	S-LCNZVF

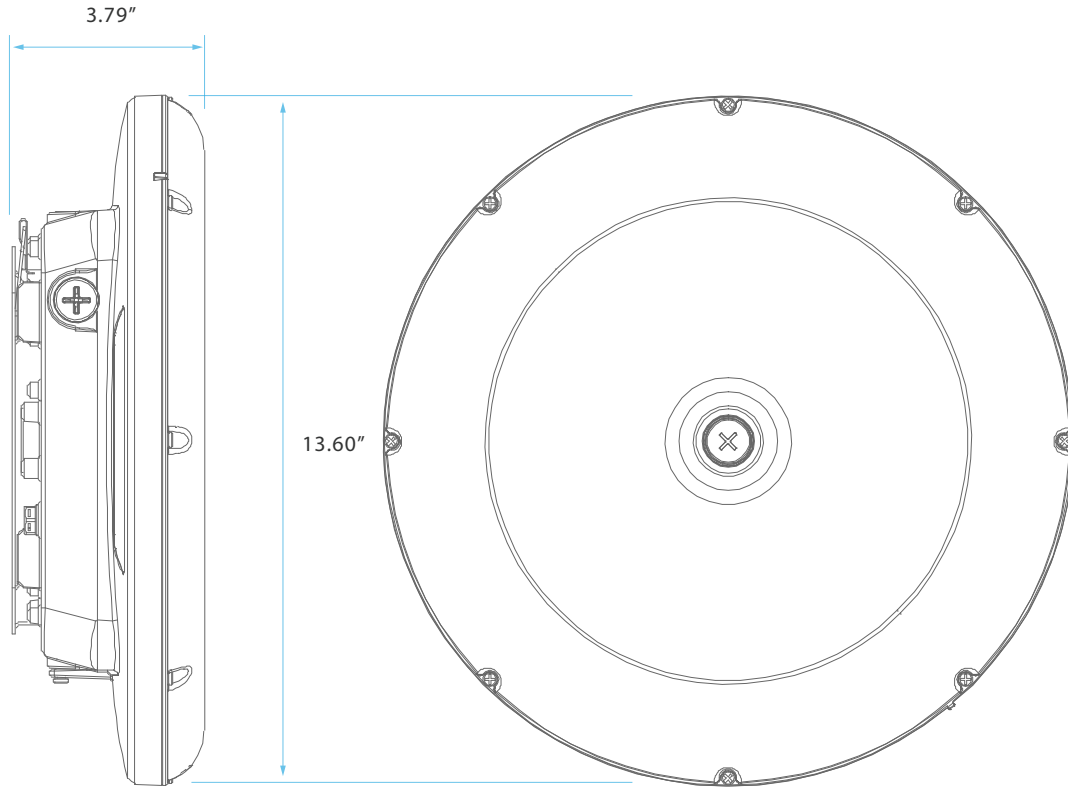
\*Blank= No Sensor or Emergency Driver function, "MS"= Motion sensor; "PT"= Photocell; "EM"= Emergency driver; "EMS"= Emergency Driver & Motion Sensor



**CONTRACTOR DIRECT**  
LIGHTING

Life is bright™

DIMENSIONS



COMPATIBILITY

\*SOLD SEPARATELY



**12VDC PHOTOCCELL  
& DAYLIGHT SENSOR**  
LR40714  
LEDSNS/CN/PC/1P



**MICROWAVE BI-LEVEL  
1P SENSOR**  
LR40713  
LEDSNS/CN/MW/BiLevel/1P



**MICROWAVE  
BI-LEVEL REMOTE**  
LR25189  
LEDSNS/MW/BiLevel/REMOTE



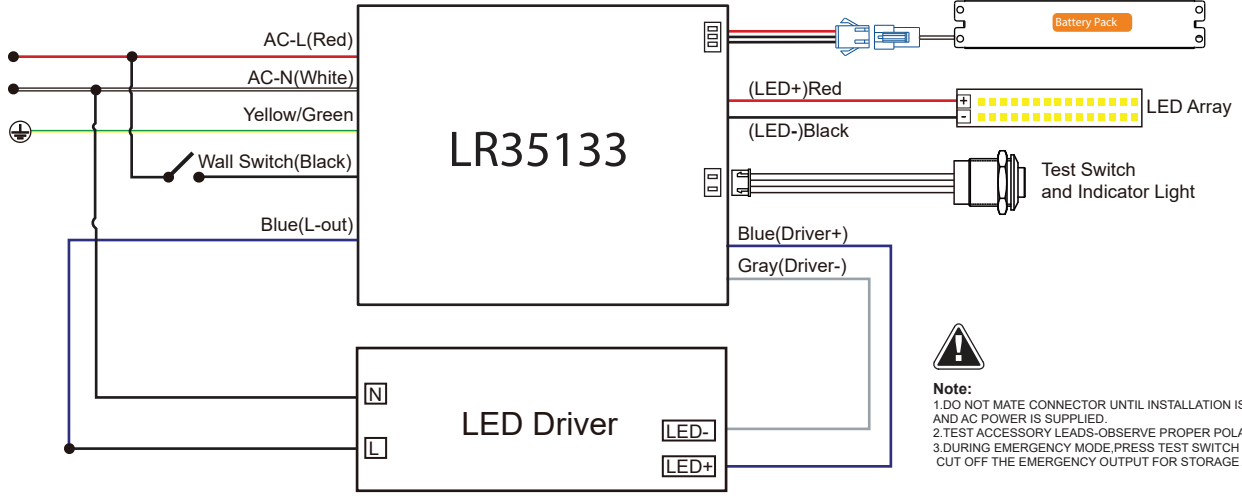
### LR35133 - SPECIFICATIONS

MODEL	DESCRIPTION	EM POWER	INPUT VOLTS	FREQUENCY	INPUT CURRENT	INPUT POWER	OUTPUT VOLTAGE	RECHARGE TIME	EMERGENCY TIME
LR35133	LED/EMR/8W/DC/HV	8	100-347V	50/60Hz	<100mA	7W	60-300VDC	24Hr	90min

AMBIENT TEMPERATURE: 41°F ~ 140°F

### WIRING DIAGRAM

**WARNING: DISCONNECT POWER BEFORE INSTALLING OR SERVICING**

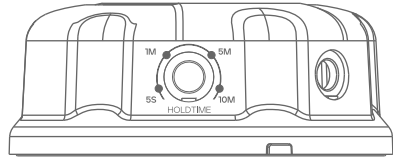


**Note:**  
1. DO NOT MATE CONNECTOR UNTIL INSTALLATION IS COMPLETE AND AC POWER IS SUPPLIED.  
2. TEST ACCESSORY LEADS-OBSERVE PROPER POLARITY WIRING.  
3. DURING EMERGENCY MODE, PRESS TEST SWITCH TWICE TO CUT OFF THE EMERGENCY OUTPUT FOR STORAGE AND SHIPMENT.

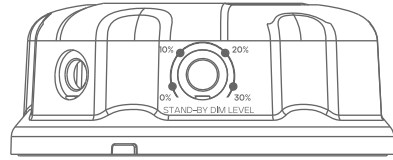


### LR40713 - BI-LEVEL MOTION SENSOR SETTINGS

HOLD TIME



STAND-BY DIM LEVEL



### LR40714 - 12VDC PHOTOCELL & DAYLIGHT SENSOR

