

LED LINEAR WRAP - LL3005



Application: offices, conference rooms, schools, hospitals, hallways, stairways, basements, workshops, laundry rooms, garages and more.

FEATURES

- Cut your electric bill by up to 80% instantly
- Steel housing and equipped with heat-resistant frosted lens
- Narrow width: suitable for small spaces such as stairways
- 5-year limited warranty
- Color-selectable options to suit different environments
- Can be mounted via chain or surface
- Operating temperature: - 4°F ~+104°F / -20°C ~+40°C
- Suitable for damp locations (IP20 rating, indoor use only)
- Lumen Maintenance: Over 70% @ 50,000+ Hours
- CRI: 80+; PF>0.9
- Beam Angle: 110°
- Optional 90-minute emergency backup driver and motion sensor installation
- DLC premium and ETL certificated

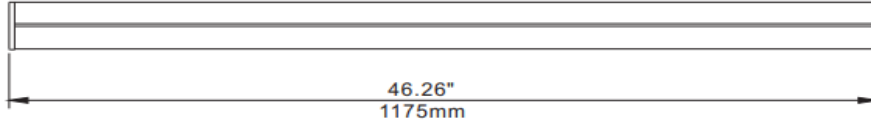
SPECIFICATION

| Model | Length | Watt | CCT | Lumens | Dimmable | Voltage |
|---|--------|------|-----------------------------|----------|----------|-------------|
| HY-2FT-LW139-18W-3CCT | 2FT | 18W | 3000K/4000K/500K Adjustable | 130 LM/W | 0-10V | 100-277 VAC |
| HY-4FT-LW139-32W-3CCT | 4FT | 32W | | | | |
| With Microwave Motion Sensor | | | | | | |
| HY-2FT-LW139-18W-3CCT(MS) | 2FT | 18W | 3000K/4000K/500K Adjustable | 130 LM/W | 0-10V | 100-277 VAC |
| HY-4FT-LW139-32W-3CCT(MS) | 4FT | 32W | | | | |
| With 90 minutes Emergency Driver | | | | | | |
| HY-2FT-LW139-18W-3CCT(EM) | 2FT | 18W | 3000K/4000K/500K Adjustable | 130 LM/W | 0-10V | 100-277 VAC |
| HY-4FT-LW139-32W-3CCT(EM) | 4FT | 32W | | | | |
| With Microwave Motion Sensor & 90 minutes Emergency Driver | | | | | | |
| HY-2FT-LW139-18W-3CCT(EM/MS) | 2FT | 18W | 3000K/4000K/500K Adjustable | 130 LM/W | 0-10V | 100-277 VAC |
| HY-4FT-LW139-32W-3CCT(EM/MS) | 4FT | 32W | | | | |

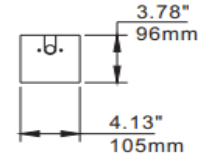
LED LINEAR WRAP - LL3005

DIMENSION

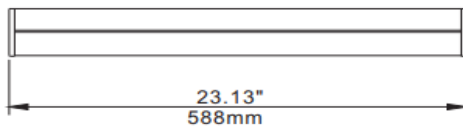
4ft Front View



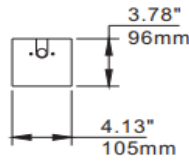
Side View



2ft Front View



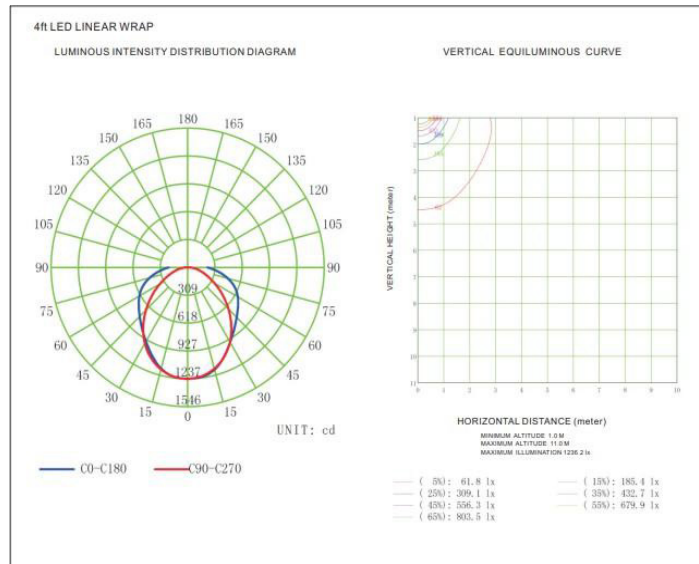
Side View



PACKAGE INFO

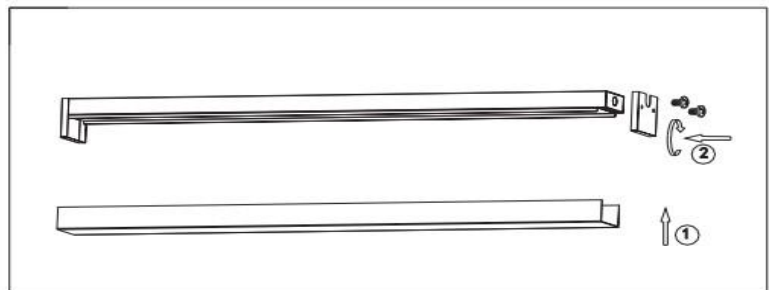
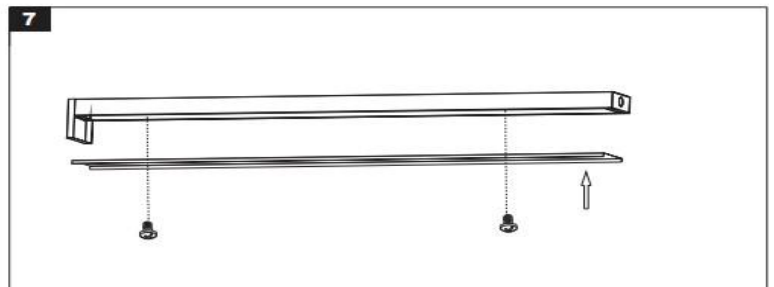
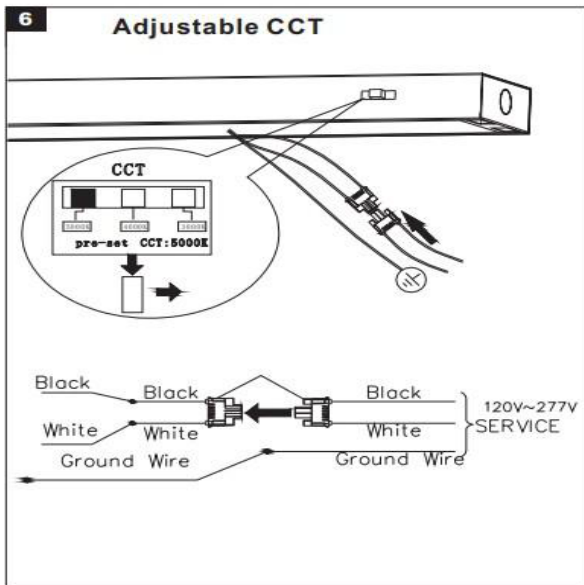
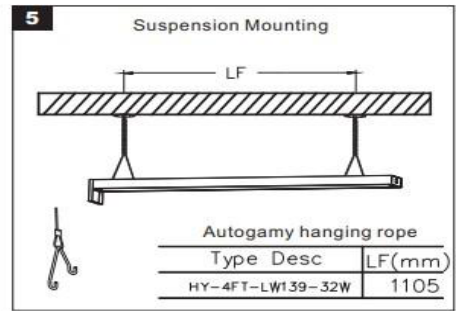
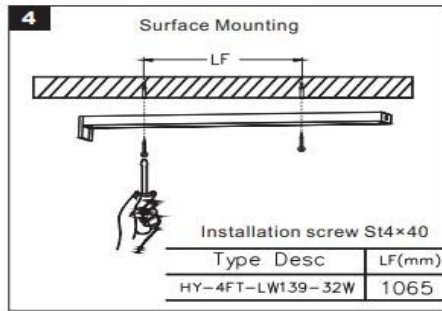
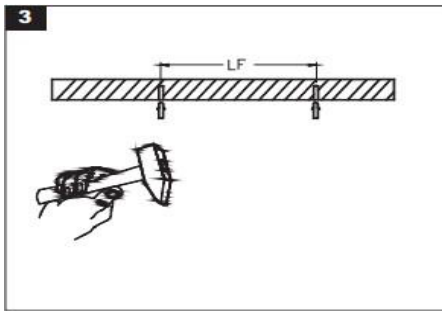
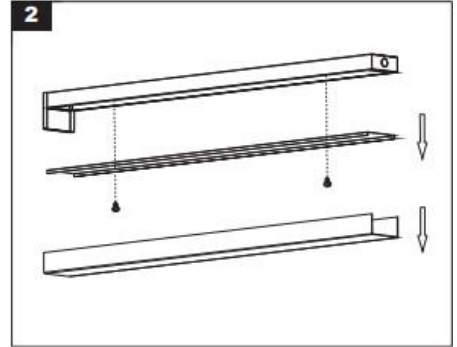
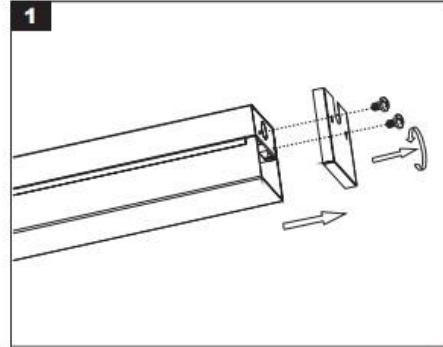
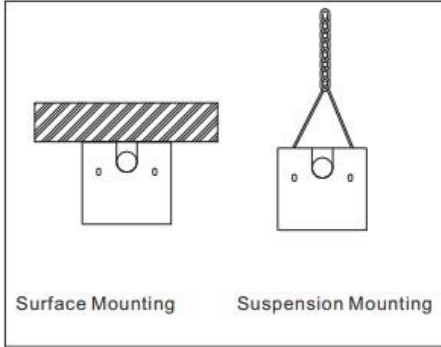
| Model. No. | HY-2FT-LW139-18W-XXK | HY-4FT-LW139-32W-XXK |
|----------------|-------------------------------------|---------------------------------------|
| Size | 2ft | 4ft |
| QTY/PACK | 6PCS/PACK | |
| Package Size | 630X345X245mm 24.8"X13.58"X9.65" | 1210X405X240mm 47.64"X15.94"X9.45" |
| Package Weight | 10kg/22.05 lbs | 13.9kg/30.64 lbs |
| Package CBM | 0.053251 | 0.117612 |
| 40GP Capacity | ~6530 PCS | ~2950 PCS |
| 40HQ Capacity | ~7660 PCS | ~3460 PCS |
| 45HQ Capacity | ~8780 PCS | ~3970 PCS |

PHOTOMETRIC REPORT



LED LINEAR WRAP - LL3005

INSTALLATION



Connection Installation

