

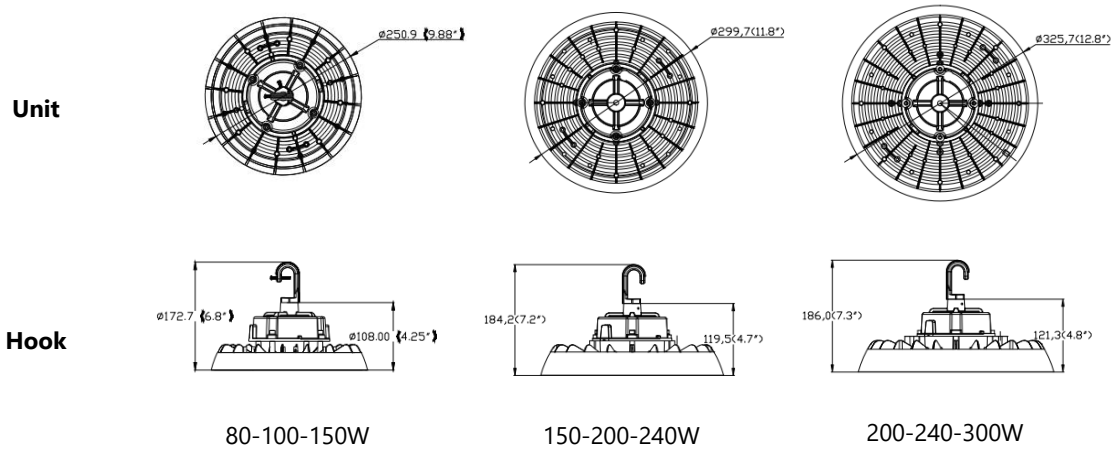
Project Name: _____
Date: _____ Note: _____

LED UFO High Bay – UFO6 Series MH5001

Ordering Guide

Company Code	Product Series	Wattage	H	3W	3CCT	Option
HY	UFO6 Series	150W 80W/100W/150W Adjustable	H: 120-277V	2 Watt Adjustable	4000K- 5000K Selectable	Blank: N/A
		240W 150W/200W/240W Adjustable				MS: Motion Sensor
		300W 200W/240W/300W Adjustable				BT: Bluetooth Sensor

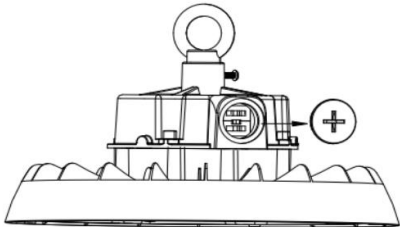
Dimensions



Watt and CCT Adjustable

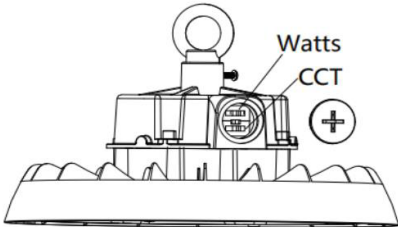
C/B/A (Minimum / Middle / Maximum wattage) ,

1.Remove the rubber pad from the driver

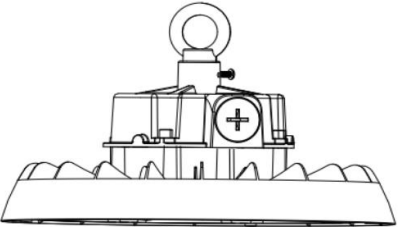


NW/CW (CCT:40K/50K)

2.Use the slide switch to select wattage and CCT



3.Attach the rubber pad to the driver



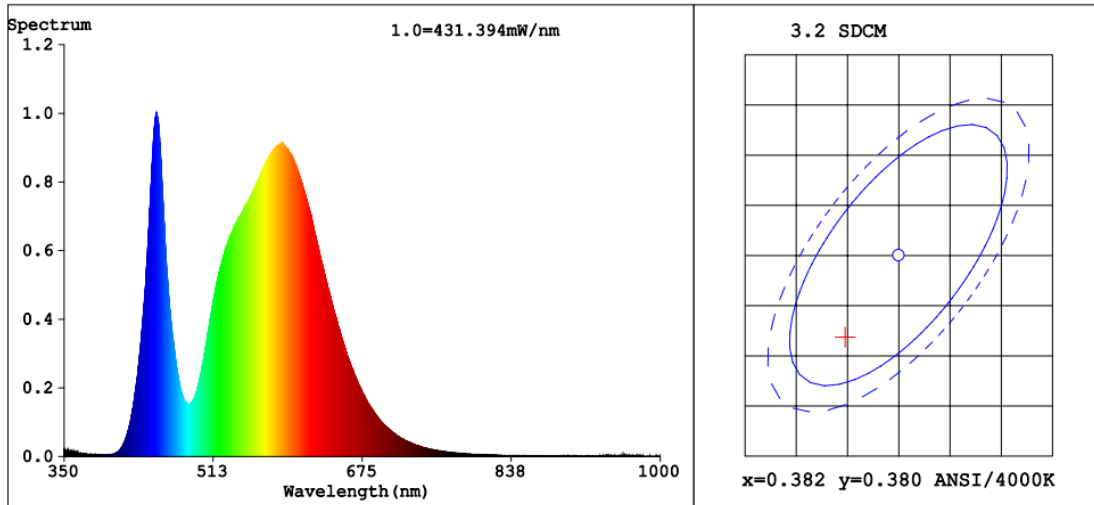
LED UFO High Bay – UFO6 Series MH5001

Package Information

Model No.	MH5001	MH5001	MH5001
Power	80W/100W/150W	150W/200W/240W	200W/240W/300W
QTY/PACK	1 PC	1 PC	1 PC
Package Size	260x260x136mm 10.23 x 10.23 x 5.35 in	310x310x147mm 12.2 x 12.2 x 5.8 in	336x336x150mm 13.2 x 13.2 x 6 in
Package Weight	2.2kg/ 4.85 lbs	3.25kg/ 7.17 lbs	3.72kg/ 8.20 lbs
Package CBM	0.0092	0.0141	0.0169

Photometric Report

MH5001



LED UFO High Bay – UFO6 Series MH5001



Application: Warehouses, Distribution Centers, Retailers, Field Houses, Gymnasiums, Aisles and more commercial and industries applications.

Description

- Sleek and modern design.
- Superior heat dissipation.
- DLC 5.1 Premium certification with high luminous efficacy and low UGR.
- Equipped with branded drivers and LEDs, featuring 0-10V dimming.
- Optional PnP sensor.
- Round emergency driver for quick installation.
- Extensive accessory options available.
- Selectable CCT(4000K-5000K) and wattages.

Sensor Feature



Specification

Model	MH5001 (UFO6 Series)	MH5001 (UFO6 Series)	MH5001 (UFO6 Series)
Power	80/100/150W	150/200/240W	200/240/300W
Lumens	14000/16800/21000 lm	21000/28000/33600 lm	36400/39200/42000 lm
Metal Halide Equal	250-400W	400-1000W	1000-1500W
Input Voltage	AC110-277 V		
Beam Voltage	110°		
Housing	Die-cast Aluminum Housing		
Dimming	0-10V		
Protectng Rating	IP65		
Power Factor	0.9+		
CCT	4000K-5000K Selectable		
CRI	80+		
Working Life	Lumen Maintenance Over 70% @ 50,000+ hours		
Oper. Temperature	-40°F to 113°F (-40°C to 45°C)		