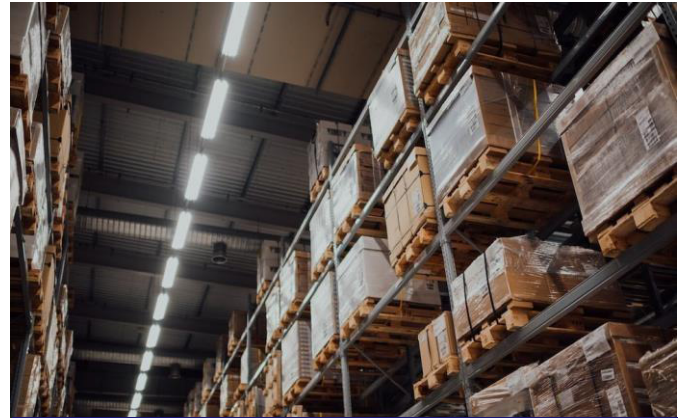




LED Linear High Bay - MH5003



Application: Factories, warehouses, packaging and distribution facilities, manufacturing plants, retail spaces, gymnasiums, and other large high-ceiling spaces.

Accessories (Included)

Image	Description
	Hook
	Chain

Features

- LED linear high bay lights replace traditional fluorescent and metal-halide high bays, offering an operating temperature range of -40° to 122° F (-40° to 50° C).
- IP20 rated, suitable for damp locations, with lumen maintenance over 70% at 50,000+ hours and a beam angle of 110°.
- Features a white finish with an aluminum heatsink for efficient heat dissipation.
- Equipped with a frosted or prismatic (varies by model) PMMA lens for smooth 5000K light diffusion.

Ordering Guide

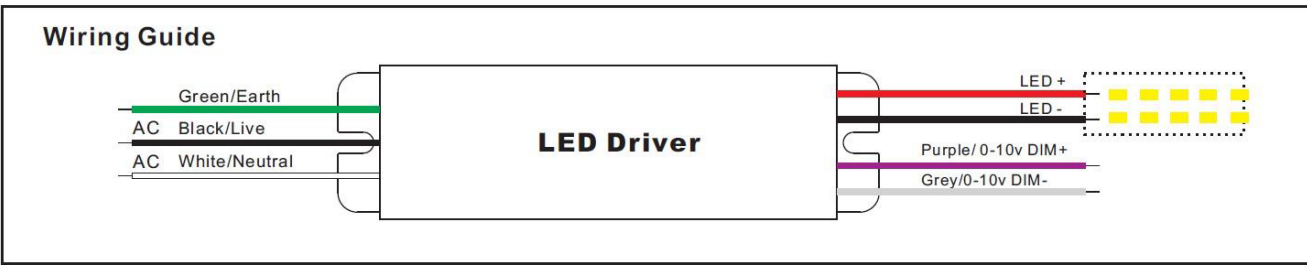
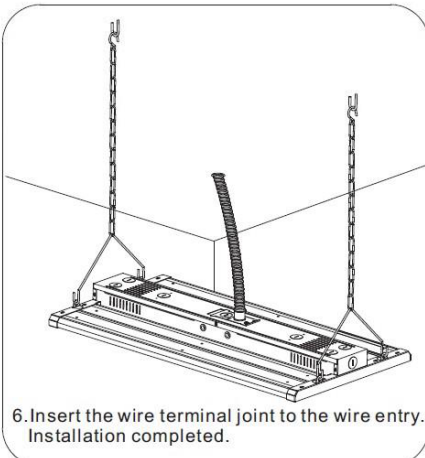
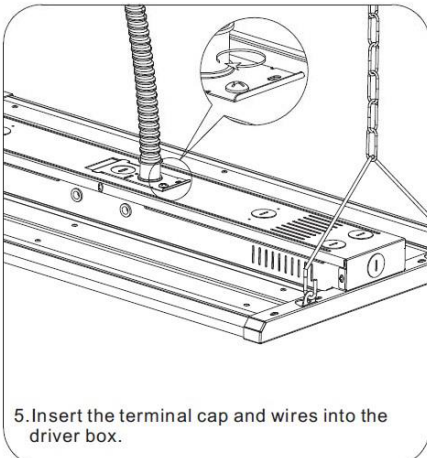
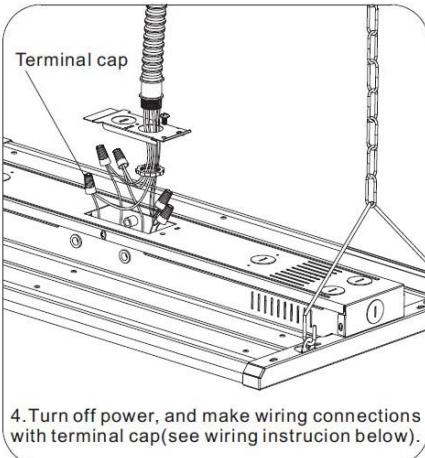
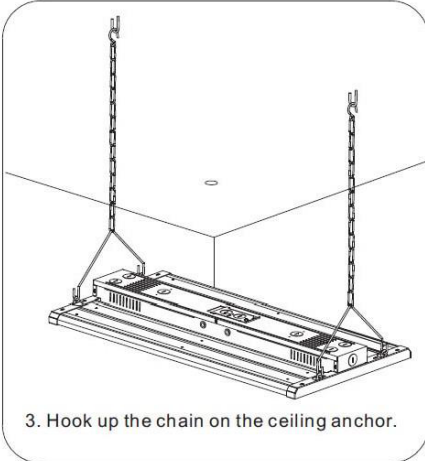
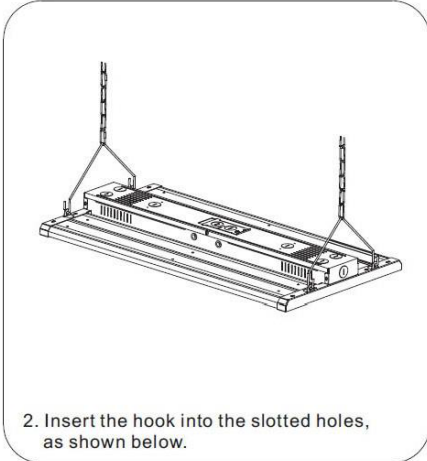
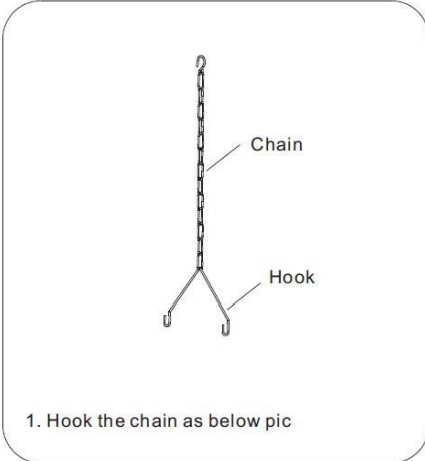
	MH5003 -110W2FT- H-3W3CCT	MH5003 -160W2FT- H-3W3CCT	MH5003 -220W2FT- H-3W3CCT	MH5003 -220W4FT- H-3W3CCT	MH5003 300W4FT- H-3W3CCT
Length	2FT	2FT	2FT	4FT	4FT
Watt	110/90/70W	160/140/120W	220/190/160W	220/190/160W	300/260/220W
CCT	3500-4000-5000K Selectable				
CRI	>80				
Power Factor	≥0.9				
Lumens	15400lm @110W	22400lm @160W	30800lm @220W	30800lm @220W	42000lm @300W
Recommended Installation Height	10-15ft	14-20ft	16-26ft	16-26ft	20-35ft
Dimmable	0-10V				
Voltage	AC 120-277V				
DLC#	S-DJZ8QX	S-C5VZX9	S-7DSCHE	S-FESPTK	S-MLXD9C

Options Ordering Guide

Model No	HY-LHB-110W2FT- H-3W3CCT	HY-LHB-160W2FT- H-3W3CCT	HY-LHB-220W2FT- H-3W3CCT	HY-LHB-220W4FT- H-3W3CCT	HY-LHB-300W4FT- H-3W3CCT
Wire Guard	ACCS-LHB-WG-2FT			ACCS-LHB-WG-4FT	
Motion Sensor (Max 40ft)	ANT-5-4T/ANT-6-4T/HD09VR-PH-1: ON/Off or Bi Level and Daylight Harvesting; HD09VR-PHB-1: Bluetooth				
Motion Sensor (Max 50ft)	HD09VR-MH-1: Microwave, ON/Off or Bi Level and Daylight Harvesting				
Emergency Driver	BLD-HM15D- 480800	BLD-HM25D- 480800	BLD-HM25D- 480800	BLD-HM25D- 480800	N/A

LED Linear High Bay - MH5003

Installation



ANT-5-4T (Motion Sensor) Installation

