

**Project Name:** \_\_\_\_\_

**Date:** \_\_\_\_\_ **Note:** \_\_\_\_\_

## LED DOUBLE RING FLUSH MOUNT CEILING LIGHT SM4002



**Application:** Ideal for residential places, offices, hallways, utility rooms, and commercial places such as hotel rooms.

### CERTIFICATION



### PRODUCT DESCRIPTION

The LED Double Ring Flush Mount Ceiling Light is a stylish, low-maintenance, energy-efficient solution, available in Standard, Motion Sensor, and Emergency-Ready versions.

### SPECIFICATIONS

Model No.	HY-DR12-16WCCT	HY-DR14-22WCCT	HY-DR16-26WCCT	HY-DR12-16WCCT-MS	HY-DR12-16WCCT(EM)	HY-DR14-22WCCT(EM)	HY-DR16-26WCCT(EM)
Available Variants	Standard			With Motion Sensor (ON/OFF)	With Emergency Driver Ready		
Wattage	16W	22W	26W	16W	16W	22W	26W
Size	12"	14"	16"	12"	12"	14"	16"
Lumens	1450 LM	1850 LM	2200 LM	1280 LM	1450 LM	1850 LM	2200 LM
Rated Input Voltage(V)	AC 120V						
Light Source	SMD						
CCT	2700K/3000K/3500K/4000K/5000K selectable			2700K/3500K/4000K/5000K /6500K selectable			
Body Finish	Brushed Nickel						
Beam Angle (°)	110°-120°						
Dimming	YES			NO			
Color Rendering Index	Ra>80						
Power Factor	0.95						
Working Temperature	5 °F ~104 °F / -15°C ~40°C			13 °F ~ 113 °F / -25°C ~ 45°C	5 °F ~ 104 °F / -15°C ~ 40°C		
Charging Time	N/A			≥24 hours			
Emergency Time	N/A			1.5 hours			
Environment Location	IP 20 – Indoor Only						
Lifespan	Lumen Maintenance over 70% @ 50,000+ Hours						
Certificate	ETL						
Package Info	18.5"X13.0"X13.2"	19.9"X14.8"X15.0"	23.3"X16.7"X16.5"	18.5"X13.0"X13.2"	25.3"X12.5"X12.5"	28.8"X14.5"X14.5"	30.5"X16.7"X16.5"
Weight	13 LBS	18 LBS	22 LBS	13 LBS	19 LBS	24 LBS	28 LBS
PC/ Master Pack	6						

### ORDERING CODE DEFINITION

#### HY-DR12-16WCCT

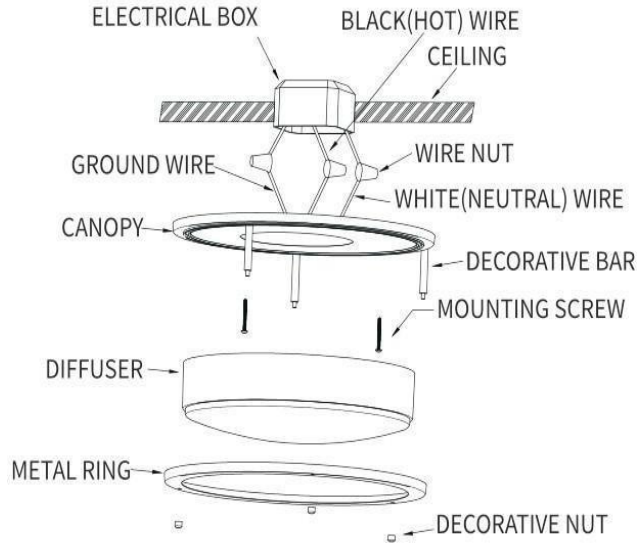
Company Code	Product	Size	Power	CCT	Suffix
HY	DR: Double ring flush mount ceiling light	12"	16W	2700K/3000K/3500K/4000K/5000K OR 2700K/3500K/4000K/5000K/6500K	MS: With ON/OFF motion sensor EM: With emergency backup driver ready
		14"	22W		
		16"	26W		

**Project Name:** \_\_\_\_\_

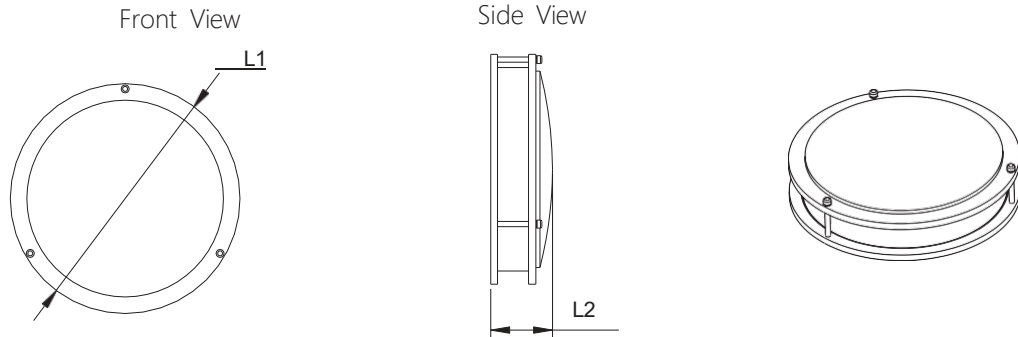
**Date:** \_\_\_\_\_ **Note:** \_\_\_\_\_

## LED DOUBLE RING FLUSH MOUNT CEILING LIGHT SM4002

### PRODUCT STRUCTURE



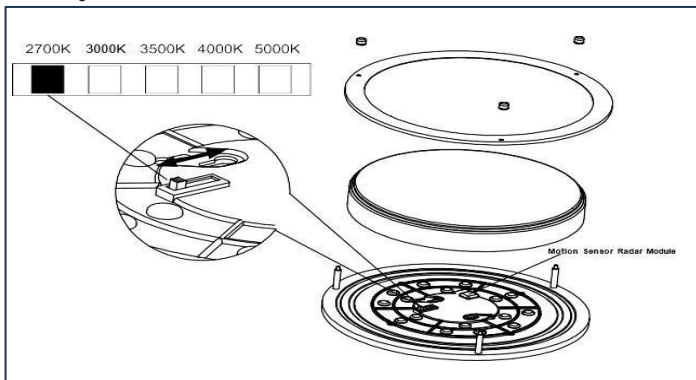
### PRODUCT DIMENSIONS



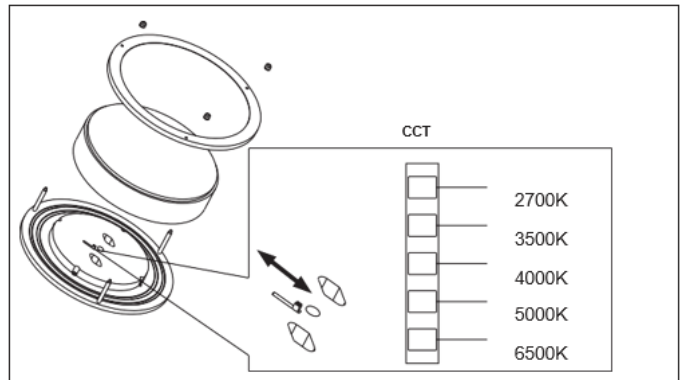
Model No. Size	HY-DR12-16WCCT	HY-DR14-22WCCT	HY-DR16-26WCCT	HY-DR12-16WCCT -MS	HY-DR12-16WCCT(EM)	HY-DR14-22WCCT(EM)	HY-DR16-26WCCT(EM)
L1	Φ305mm/Φ12"	Φ355mm/Φ14"	Φ405mm/Φ16"	Φ305mm/Φ12"	Φ305mm/Φ12"	Φ355mm/Φ14"	Φ405mm/Φ16"
L2	65mm/2.56"	75mm/2.95"	85mm/3.35"	65mm/2.56"	104mm/4.09"	114mm/4.49"	124mm/4.89"

### OPERATION GUIDE

#### CCT Adjustable



Standard & Motion Sensor (MS) Variants



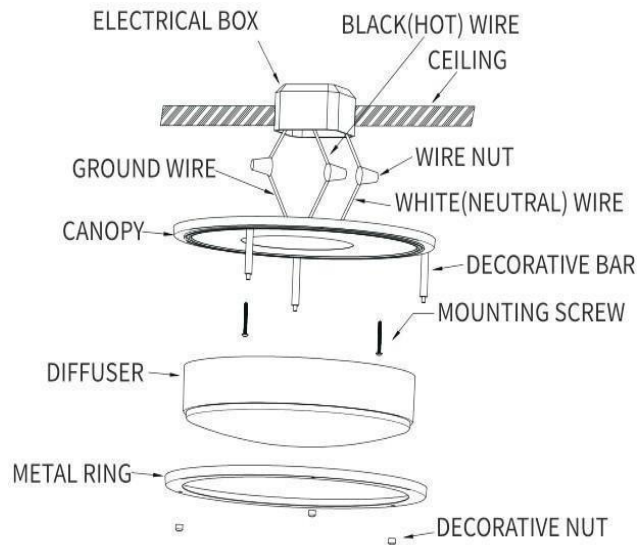
Emergency Driver (EM) Variant

**Project Name:** \_\_\_\_\_

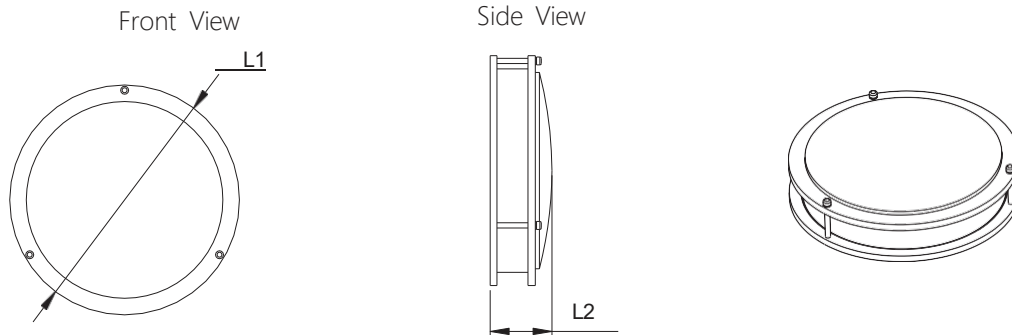
**Date:** \_\_\_\_\_ **Note:** \_\_\_\_\_

## LED DOUBLE RING FLUSH MOUNT CEILING LIGHT SM4002

### PRODUCT STRUCTURE



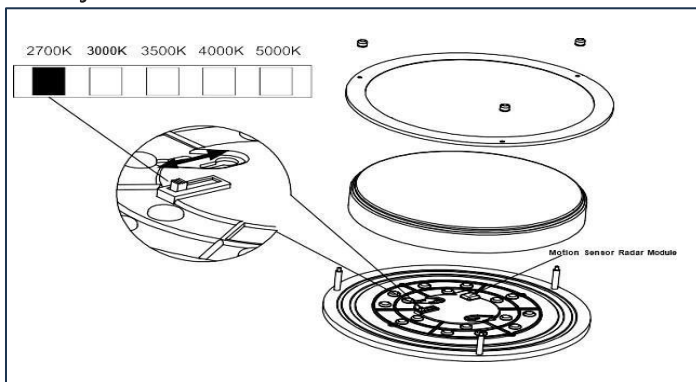
### PRODUCT DIMENSIONS



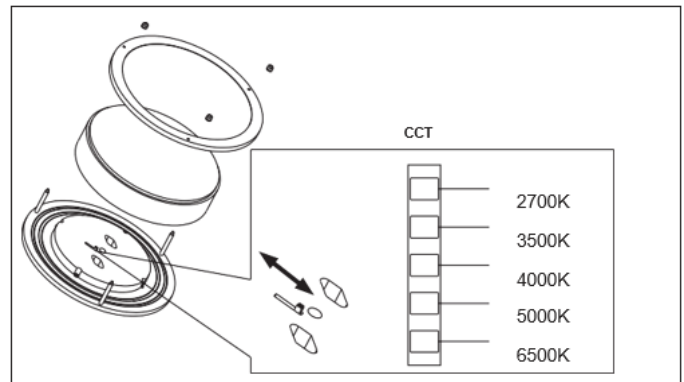
Model No. Size	HY-DR12-16WCCT	HY-DR14-22WCCT	HY-DR16-26WCCT	HY-DR12-16WCCT -MS	HY-DR12-16WCCT(EM)	HY-DR14-22WCCT(EM)	HY-DR16-26WCCT(EM)
L1	Φ305mm/Φ12"	Φ355mm/Φ14"	Φ405mm/Φ16"	Φ305mm/Φ12"	Φ305mm/Φ12"	Φ355mm/Φ14"	Φ405mm/Φ16"
L2	65mm/2.56"	75mm/2.95"	85mm/3.35"	65mm/2.56"	104mm/4.09"	114mm/4.49"	124mm/4.89"

### OPERATION GUIDE

#### CCT Adjustable



Standard & Motion Sensor (MS) Variants



Emergency Driver (EM) Variant

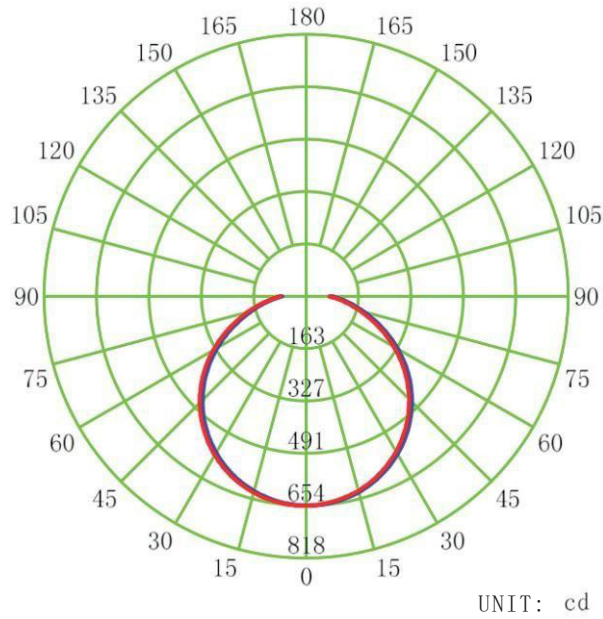
**Project Name:** \_\_\_\_\_

**Date:** \_\_\_\_\_ **Note:** \_\_\_\_\_

**LED DOUBLE RING FLUSH MOUNT CEILING LIGHT SM4002**

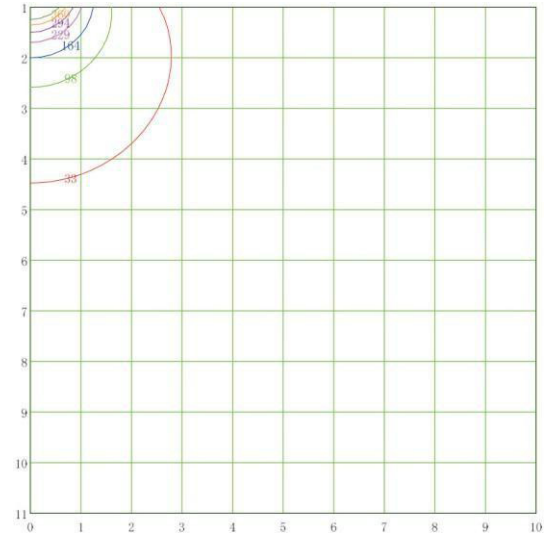
**PHOTOMETRIC REPORT**

LUMINOUS INTENSITY DISTRIBUTION DIAGRAM



— C0-C180      — C90-C270

VERTICAL EQUILUMINOUS CURVE



HORIZONTAL DISTANCE (meter)

MINIMUM ALTITUDE 1.0 M  
MAXIMUM ALTITUDE 11.0 M  
MAXIMUM ILLUMINATION 654.4 lx

— ( 5%): 32.7 lx	— ( 15%): 98.2 lx
— ( 25%): 163.6 lx	— ( 35%): 229.1 lx
— ( 45%): 294.5 lx	— ( 55%): 359.9 lx
— ( 65%): 425.4 lx	