

Project Name: _____

Date: _____ Note: _____

LED WATERPROOF CEILING LIGHT SM4003



Application: Ideal for residential places, offices, hallways, awnings, utility rooms, and commercial places such as hotel rooms.

Certification



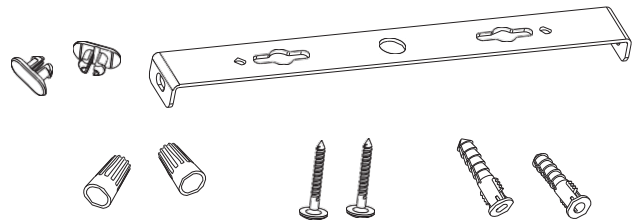
Description

This LED Waterproof IP65 Rated Ceiling Light is designed to fit your wide ceiling light indoor/outdoor application demands. The Switch CCT Adjustable function enables customers to change color based on their daily needs. Modern design to decorate the space.

SPECIFICATIONS:

Model No.	HY-WPCL8-12W3CCT	HY-WPCL12-18W3CCT	HY-WPCL16-24W3CCT
Wattage	12W	18W	24W
Size	8"	12"	16"
Lumens	1000LM	1440LM	1920 LM
Rated Input Voltage(V)	AC 120V		
Light Source	SMD		
CCT	CCT Selectable: 3000K/4000K/5000K		
Body	Polycarbonate Engineering Plastic		
Beam Angle (°)	120°		
Dimming	Traic Dimming		
Lumen Efficiency	80~85 Lm/W		
Color Rendering Index	Ra>80		
Power Factor	0.95		
Working Temperature	-4 ° F ~+105 ° F / -15°C ~40°C		
Storage Temperature	-4 ° F ~+105 ° F / -15 ° C ~ +40 ° C		
Environment Location	IP 65 - Wet Location		
Lifespan	Lumen Maintenance over 70% @ 50,000+ Hours		
Body Finish	White		
Certificate	ETL		
Package Info	16.9"X11.8"X8.9"	24.8"X12.8"X12.8"	16.7"X12.8"X16.7"
PC / Master Pack	10	10	5
Weight	10.67 LB	19.44 LB	15.73 LB

Accessories



CCT Adjustable : Adjust CCT By ON/Off Wall Switch

- Color can be adjusted by quickly turn on/off the wall switch with 3 seconds



on → 5000K → off/on → 3000K → off/on → 4000K

- Turn off the light and leave the light to stay off for more than 5 seconds, when you turn on the light next time, the CCT will be the same as the last time you used. To change color, go to step 1.
- Color Reset: to match the 2 fixtures with different color, turn the switch on/off for 7 times.

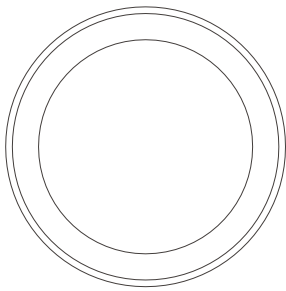
ORDERING CODE DEFINITION

EXAMPLE: HY-WPCL8-12W3CCT

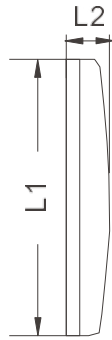
Company Code	Product	Size	Power:	CCT
HY	WPCL: Waterproof Ceiling Light	8"	12W	5 CCT Selectable: 3000K/4000K/5000K
		12"	18W	
		16"	24W	

PRODUCT DIMENSION

Front View

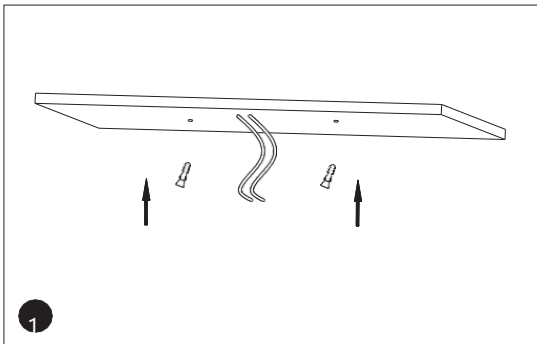


Side View

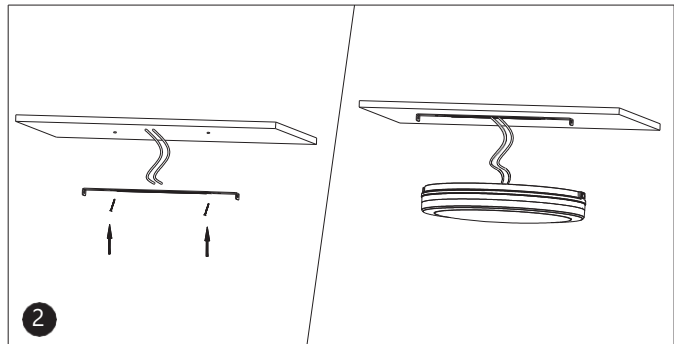


Model No.	HY-WPCL8-12W-3CCT	HY-WPCL12-18W-3CCT	HY-WPCL16-24W-3CCT
L1	φ200mm/φ7.87"	φ300mm/φ11.81"	φ400mm/φ15.75"
L2	φ51mm/φ2"	φ56mm/φ2.2"	φ56mm/φ2.2"

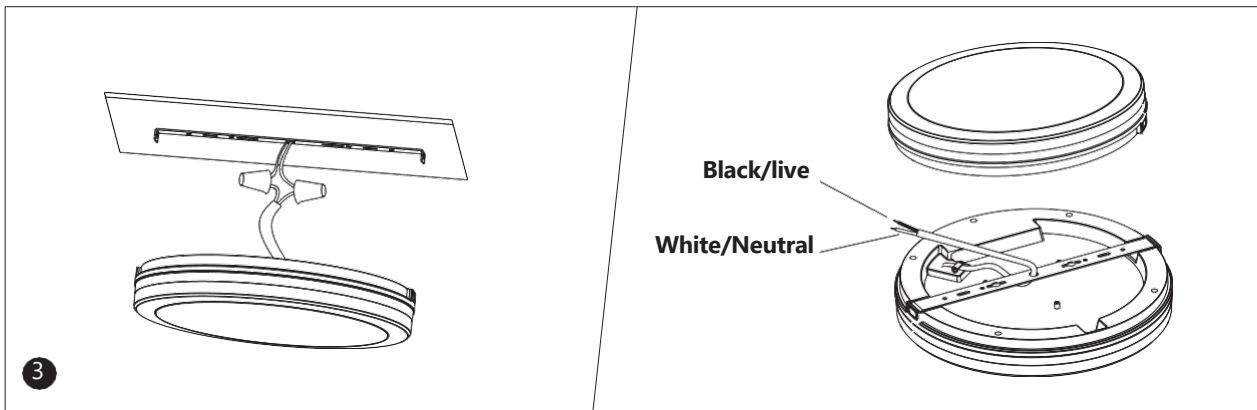
INSTALLATION GUIDE



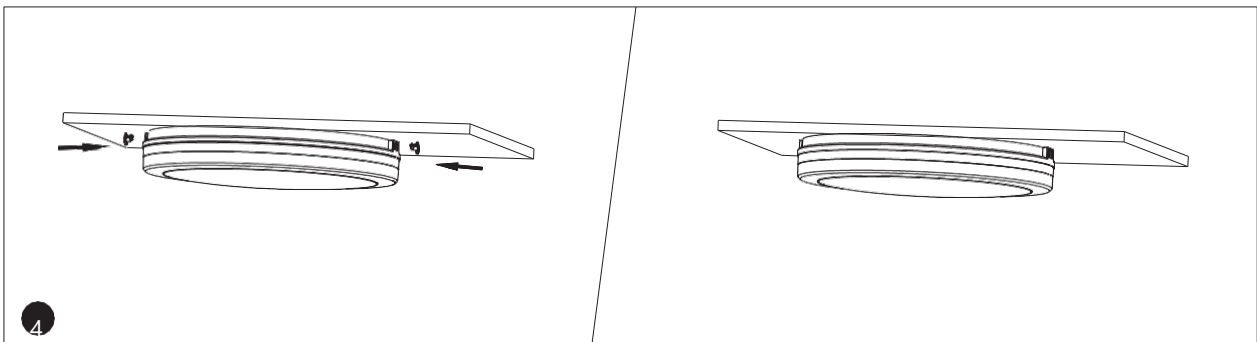
1. Fixing bracket on terminal box



2. Wiring and color temperature adjustment



3. Connect black wire to live wire, white wire to neutral wire, and secure using wire nuts.



4. Fixing the lamp body on bracket and fix tightly