

Project Name: _____

Date: _____ Note: _____

LED Motion Sensing Ceiling Light SM4004



Application: Residential garage, basement, closet, office, and etc.

Certifications

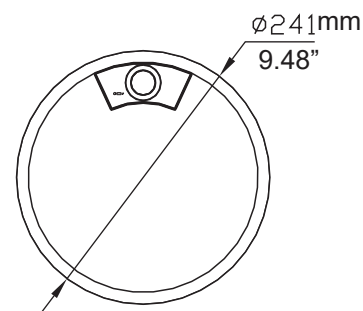


DISCRIPTION

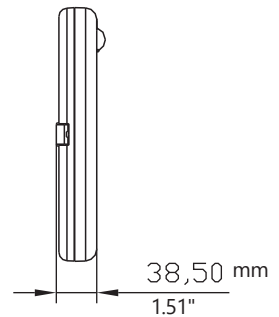
This Motion Sensing Ceiling Light has infrared sensing function, and has two modes of day and night selection switch. Selecting Day mode: the light will be on when the person enter the infrared sensor zone; Selecting night mode: when the surrounding is dark and person enter the infrared sensor zone, the light will be on.

DIMENSION

Front View



Side View



SPECIFICATIONS

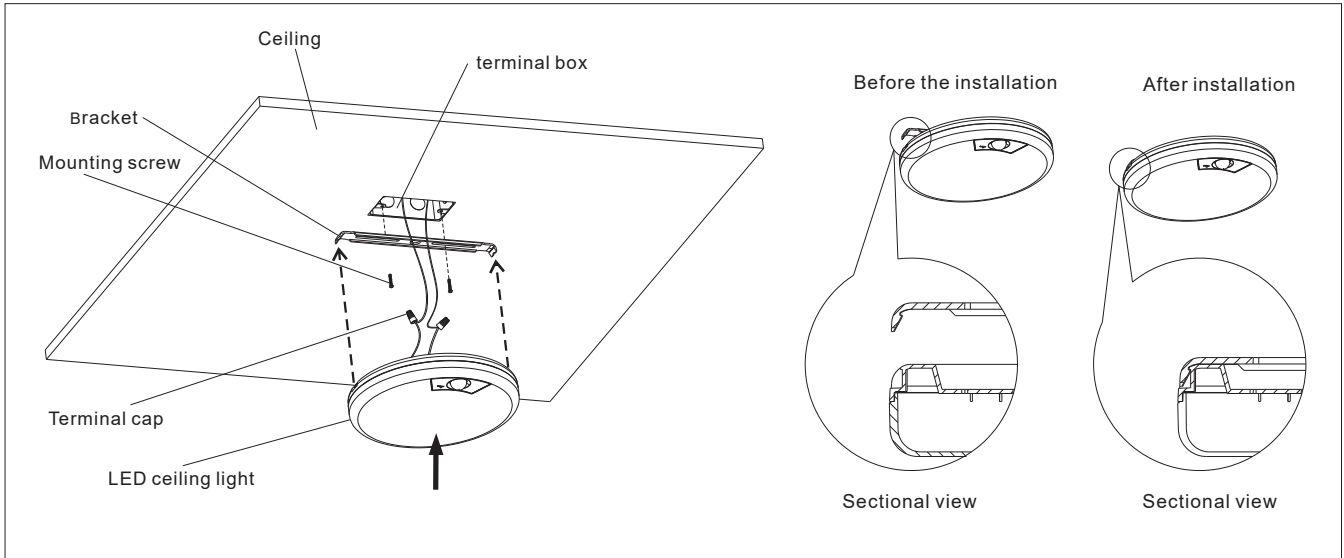
SKU	HY -FM12-20W-MS-XXK
Size	10"
Power	20W
Input Voltage	AC 110V
Luminous Flux	1100 LM
Beam Angle	120°
Efficacy	55 LM/W
Power Factor	>0.8
CCT	5000K
CRI	>80
Working Life	Lumen Maintenance over 70% @ 50,000+ Hours
Dimmable	Triac Dimming
Induction Time	45seconds (It goes out 45 seconds after the person leaves)
Working Temperature	-4°F up to 105°F (-15°C to 40°C)
Protection Level	Indoor- IP20
Induction	Infrared induction
Certificate	ETL
Qty/Pack	20
Package Size	20.86 in x 19.88 in x 10.62 in
Package Weight	24.2 lb

ORDERING CODE DEFINITION

EXAMPLE: HY -FM12-20W-MS-XXK

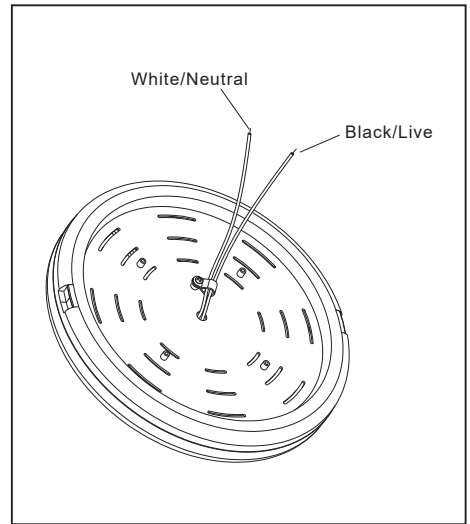
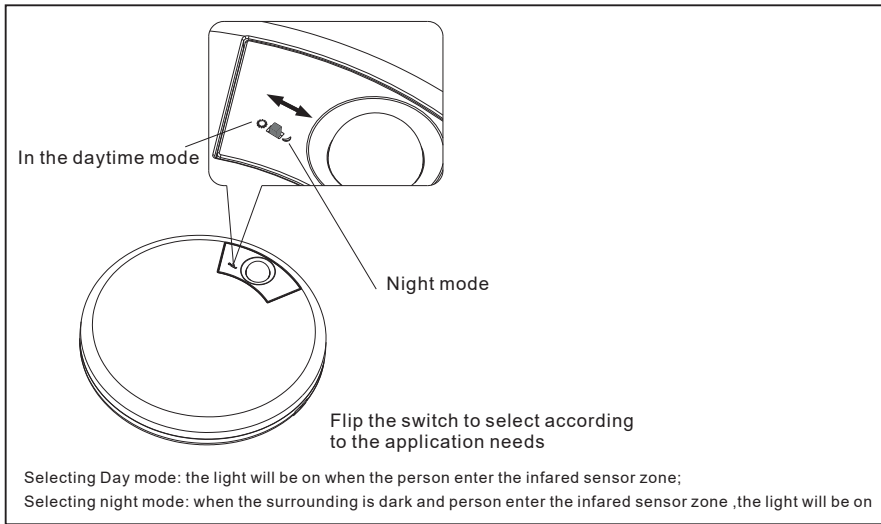
Company Code	Product	Watt	Function	CCT
HY	FM:12: Motion Sensing Flush Mount Ceiling Light	20W	MS: Motion Sensor	5000K

INSTALLATION GUIDE



1. Scenario mode selection switch

2 Wiring Guide



PHOTOMETRIC

