

Project Name: _____
Date: _____ **Note:** _____

LED DISK LIGHT SM4006



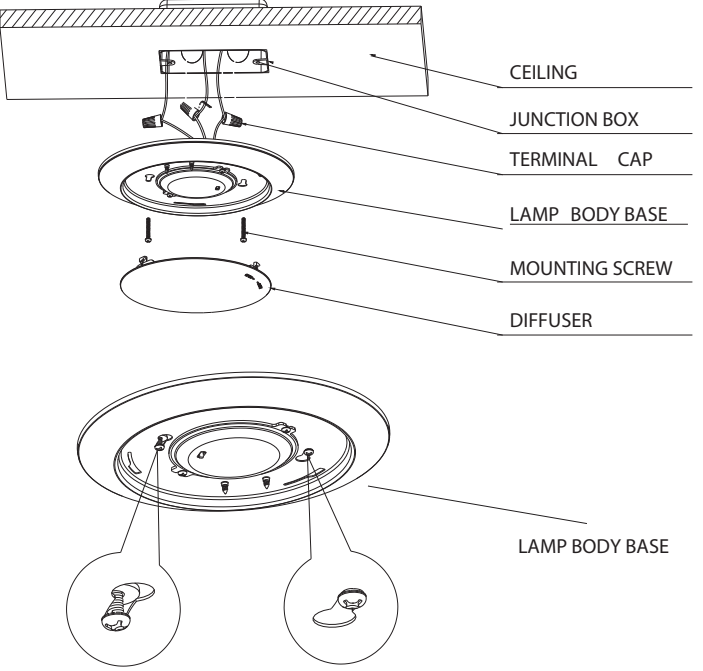
Application: Ideal for residential place, office, hallways, utility room and commercial place such as hotel rooms.

Certifications



SPECIFICATIONS		
Model No.	HY -DSL-R4-10W-3CCT	HY -DSL-R6-15W-3CCT
Wattage	10W	15W
Size	4"	6"
Lumens	650 LM	1000 LM
Rated Input Voltage(V)	AC120V 60Hz	
CCT	CCT Selectable: 3000K/4000K/5000K	
Beam Angle (°)	120°	
Dimming	Triac dimming	
Color Rendering Index	Ra>80	
Power Factor	0.95	
Working Temperature	-4 ° F ~ +105 °F / -15°C ~40°C	
Environment Location	IP 20 – Suitable for Damp Location	
Lifespan	Lumen Maintenance over 70% @ 50,000+ Hours	
Body Finish	White	
Certificate	ETL/Energy Star	
Package Info	19.3"X7.5"X13.2"	23.4"X7.5"X15.9"
PC/ Master Pack	30	30
Weight	13.9 LB	19.2LB

STRUCTURE



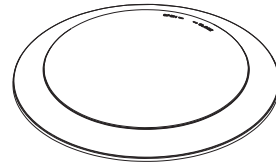
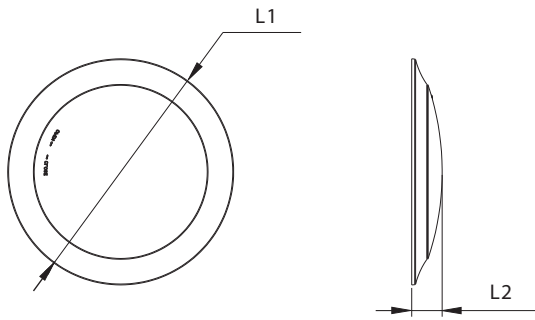
ORDERING CODE DEFINITION

EXAMPLE: HY -DSL-R4-10W-3CCT				
Company Code	Product	Size	Watt	CCT
HY	DSL: Disk Light	R4: Round 4 inch	10W	3 CCT Selectable: 3000K/4000K/5000K
		R6: Round 6 inch	15W	

PRODUCT DIMENSION

Front View

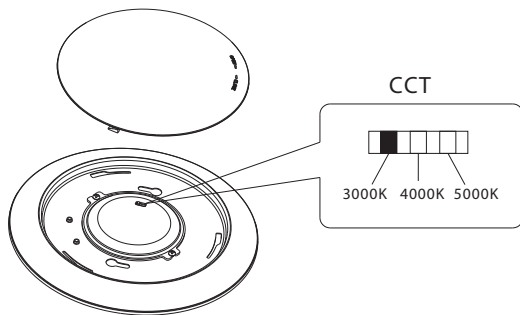
Side View



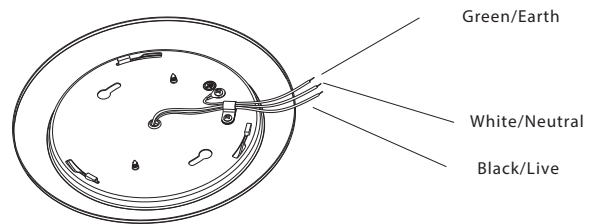
Model No.	HY-DSL-R4-10W-3CCT	HY-DSL-R6-15W-3CCT
L1	Φ 150mm/ Φ 5.9"	Φ 185mm/ Φ 7.28"
L2	25mm/0.98"	25mm/0.98"

INSTALLATION GUIDE

1 CCT Adjustable

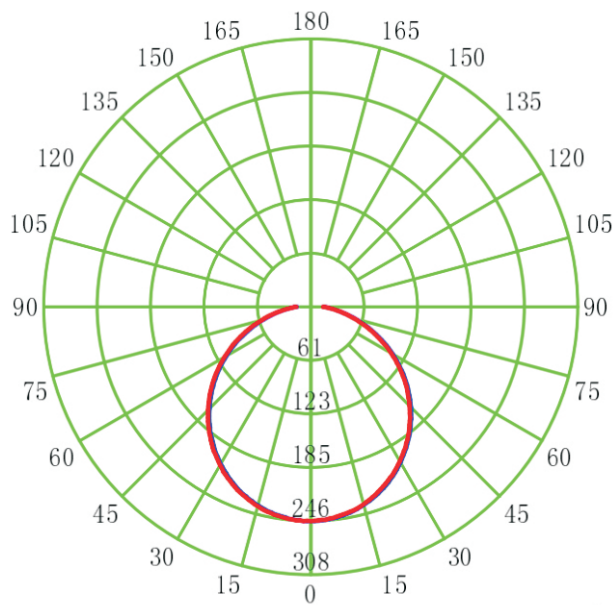


2 Wiring Guide



PHOTOMETRIC REPORT

LUMINOUS INTENSITY DISTRIBUTION DIAGRAM



— C0-C180 — C90-C270

VERTICAL EQUILUMINOUS CURVE

